



Parking Structures

- **Directional**
- **Floor Level**
- **Entrance**
- **Informational**
- **Disabled Access**
- **Parking Structure Identification**
- **Parking Stall**

This page is intentionally left blank.

Section 5 Parking Structure Signs

- Planning 5-2-1 – 5-2-2
- Helpful Hints 5-3-1 – 5-3-2
- Overview 5-4-1 – 5-4-8
- Parking Structure Signs 5-5-1 – 5-5-63
- Specification 5-6-1
- Construction 5-7-1 – 5-7-3
- Installation 5-8-1 – 5-8-3

This page is intentionally left blank.

Planning a Parking Structure Sign Program

The development of an effective parking structure sign program requires the coordination of several interrelated criteria.

An effective sign program must consider the following:

1. Circulation system in the parking structure.
2. How do visitors currently drive around in the parking structure?
3. Where do you want visitors to park? Where do you want staff to park?
4. What is the desired path of travel on the campus roadway system, for visitors and staff?
5. What is the desired path of pedestrian travel from parked vehicles to building entrances?
6. Location of building entrances on the facility campus in relation to parking.
7. Location of electricity, its availability, and voltage.
8. Adequacy of lighting on and around directional signs.
9. Placement of signs in locations where people expect signage.

These elements help establish the basis of a clear sign program that communicates and informs in a direct and simple manner.

A parking structure sign program that works well is one that has been planned as an integrated whole from the vehicle directional signs, pedestrian directional signs, building, and building entrance identification, and parking exit signs.

Another important consideration is that a parking structure sign program needs to be planned in accordance with a cohesive organized parking plan for both visitors and staff. Visitors will need wayfinding information, whereas staff will not. In split use parking facilities where a section will be designated as “visitor parking” and another section will be designated as “staff parking,” only the visitor parking section will require wayfinding signage.

Types of Signs

The main parking identification sign for a medical center parking structure should be a large scale illuminated sign. Refer to the exterior sign section for illuminated free standing signs.

Internally illuminated signs within a parking structure should be considered for those locations where important information and directions need to be communicated at night or in low light conditions. A non-illuminated sign that is illuminated with floodlights or a light fixture can also be used.

Non-illuminated signs with reflective letters will function well for secondary signs. It is a good practice to make all non-illuminated exterior signs with reflective letters and graphics that will ensure the best possibility of the sign being read.

Color Coding Options

Parking structures over three levels should consider color coding the floor levels in different colors. Colors should be distinctly different from floor to floor. For example, if floor one is blue, floor two should be orange, floor three, green, etc.

In addition to color coding the floors, one may also consider using imagery to differentiate one floor from the next. The various images assigned to each floor should be thematically related. For example, one may choose trees or leaves as a theme, where each floor is associated with a distinctly different looking leaf or tree image.

Imagery should consist of bold graphics, that are easy to read and interpret at a quick glance, such as icons or silhouetted shapes. Sports teams, city landmarks or other types of local images can also be used.

Examples of Color Coding, No Imagery



Examples of Combined Image & Color Coding

(illustrations intended to convey idea, NOT actual layout, colors or artwork)



The following are some general “Do’s and Don’ts” guidelines one can refer to when developing a sign program: this is not intended to be a training section of the guide, but to provide key information and suggestions that will hopefully reduce common errors that are made when planning and programming a parking structure sign program.

General Guidelines

- Never use text smaller than 3” capital letter height when a sign is intended to be read from a moving vehicle.
 - Text intended to be read by pedestrians should be a minimum of 1-1/2” capital letter height.
 - Use text (words) which are familiar, easy to understand and comfortable to the viewer.
 - Always use the same words, names or titles throughout the sign program.
 - All sign messages need to be a minimum of 24” above grade.
 - When selecting a background color for the signs, select a complementary color to the buildings on campus.
 - Signs do require maintenance. Cleaning and waxing will extend the life of exterior signs.
-

Size of Sign to Use

- Always consider the landscaping surrounding a sign when determining a sign’s size. It is important that shrubs and other plants do not hide or obscure the sign.
 - Lettering and sign panel size should be appropriate for the distance and speed at which a sign is viewed.
-

Message Content

- Keep sign messages brief.
 - Unnecessary information on signs can confuse the viewer.
 - Typically, all signs, with the exception of directional signs, should convey no more than one concept or thought.
 - Use text (words) that can be quickly read by the viewer. Use the same words throughout the sign program.
 - On directional and informational signs provide only the information necessary to make a decision at that particular location.
 - Whenever possible, messages should be presented using positive information.
 - On directional signs, do not anticipate decisions that can be made later. Unnecessary or premature information will confuse the reader.
 - Messages placed on signs should be concise, preferably with no more than seven to ten words.
 - For signs to be read from a moving car, take into account the speed of the car. At a slow speed the driver may be able to read seven or eight words. At a faster speed they will only be able to read four or five.
-

Message Layout

- Use upper and lower case text whenever possible. Upper and lower case text is easier to read and can be understood faster than text in all capital letters.
 - Line-spacing between two different messages should be greater than line-spacing between lines of the same multiple-line message.
 - Text should not be run right up to the edge of the sign.
 - If a line text needs to be reduced in order to fit on a sign, use only commonly recognized abbreviations, reduce the number of words or reduce the size of the type for the entire message. DO NOT condense the type face.
 - The most important message should appear as the first line text and the most important directional information should be at the top of the sign on free standing signs. Signs mounted to the ceiling of a parking garage should have the most important message at the bottom of the sign.
-

Placement of Signs

- Signs should, always be perpendicular to the intended viewer.
- Position signs with a clear line of sight from the viewing point to the sign face.
- Always evaluate a sign's location at night as well as in the daylight. Lighting conditions and visibility may change at night making a particular location unsuitable.
- Signs should be placed in a manner that will be clearly visible to driver all times of the year. For example, make sure that snow removal doesn't bury signs.
- Signs that receive spray from irrigation sprinklers will show staining from the minerals in the water resulting in a poor appearance. The life of the sign will also be considerably shortened.
- Always consider the landscaping surrounding a sign when determining a sign's location. It is important that trees, shrubs and other plants do not obscure the sign.
- Do not place signs in locations where people may walk into them. Don't place signs any closer than 12" to a walkway.

This section of the VA Signage Design Guide provides guidelines for the various types of parking structure signs necessary to sign a parking structure, regardless of size or type of use.

The following overview illustrates the various types of signs in this section. The individual pages on each sign type provide more specific information and detailed layouts.

Parking Structure Sign Designation

Each sign in the program guide has been given a specific sign type number designation. This designation provides a common description that can be referenced when programming a site and ordering signs. The following explains how the sign type designations are derived.

PS - 01.01 A

PS Designates a parking structure sign.

01 Two digit numbers identifies a particular sign type family.

.01 The two digit number following the period identifies a specific sign within the sign family.

A The letter designates a specific sign configuration, version and/or layout for graphics.

Overview

Parking Structure Signs

Sign Type PS-01

Non-illuminated directional sign with vinyl lettering

PS-01.01

22" – Long ceiling hung vehicular directional sign

PS-01.02

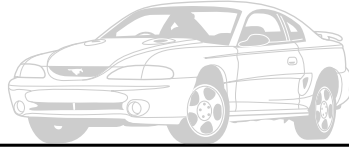
22" – Short ceiling hung vehicular directional sign

PS-01.03

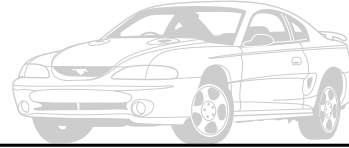
15" – Long ceiling hung vehicular directional sign

PS-01.04

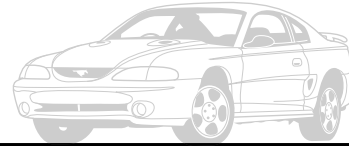
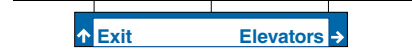
15" – Short ceiling hung vehicular directional sign



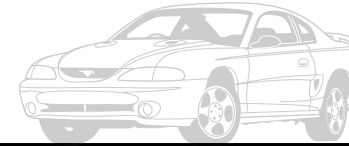
PS-01.01



PS-01.02



PS-01.03



PS-01.04

Sign Type PS-02

Non-illuminated directional sign with vinyl lettering

PS-02.01

22" – Long beam-mounted vehicular directional sign

PS-02.02

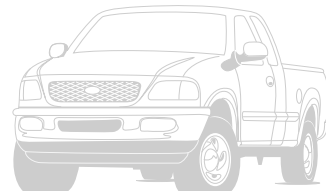
22" – Short beam-mounted vehicular directional sign

PS-02.03

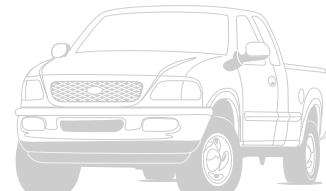
15" – Long beam-mounted vehicular directional sign

PS-02.04

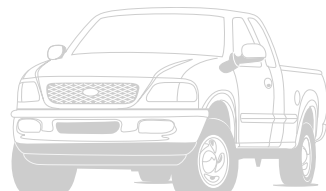
15" – Short beam-mounted vehicular directional sign



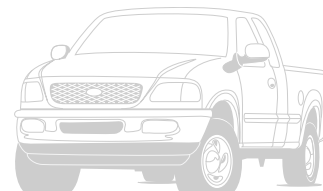
PS-02.01



PS-02.02



PS-02.03



PS-02.04

Sign Type PS-03

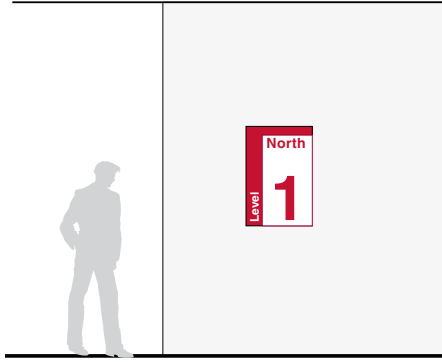
Wall-mounted directional

PS-03.01

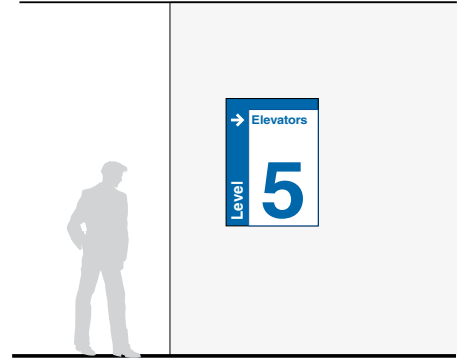
Small pedestrian and vehicle oriented sign

PS-03.02

Large pedestrian and vehicle oriented sign



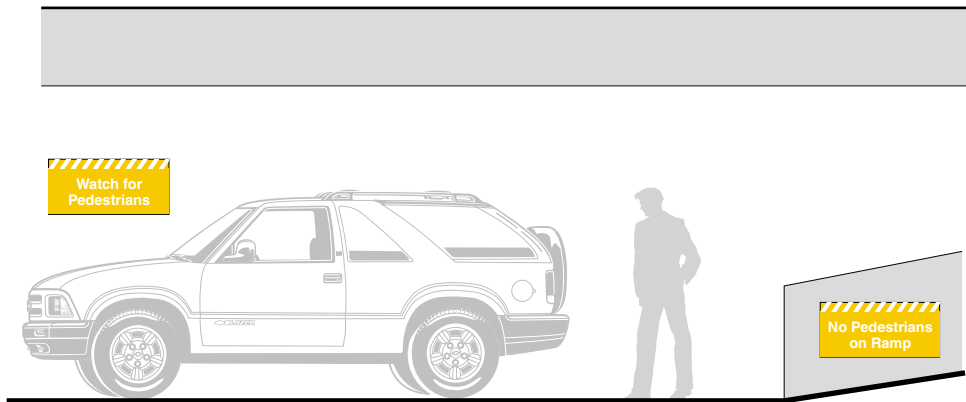
PS-03.01



PS-03.02

Sign Type PS-04

Wall mounted warning sign



PS-04

Sign Type PS-05

Vehicular oriented column level marker

PS-05.01

Square column marker

PS-05.02

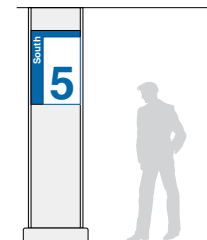
Narrow column marker

PS-05.03

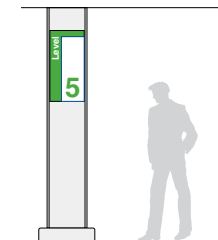
Round column marker

PS-05.04

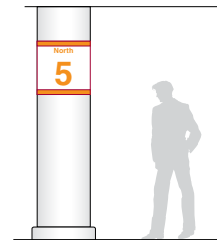
Small round column marker



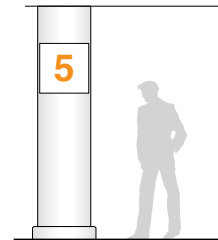
PS-05.01



PS-05.02



PS-05.03



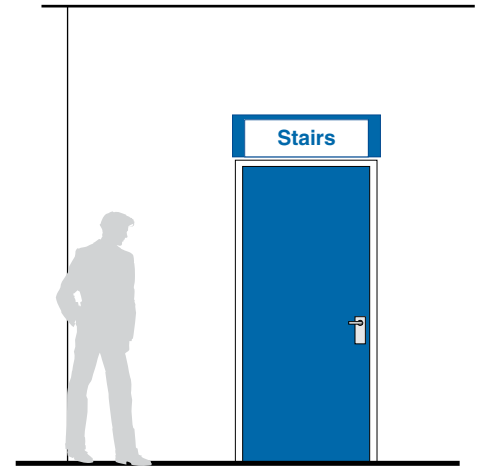
PS-05.04

Sign Type PS-05.05
Blade sign mounted to light pole



PS-05.05

Sign Type PS-06
Overhead wall-mounted identification sign



PS-06

Sign Type PS-07
Elevator and stairwell identification vinyls

PS-07.01
Text and number

PS-07.02
Number only



PS-07.01



PS-07.02

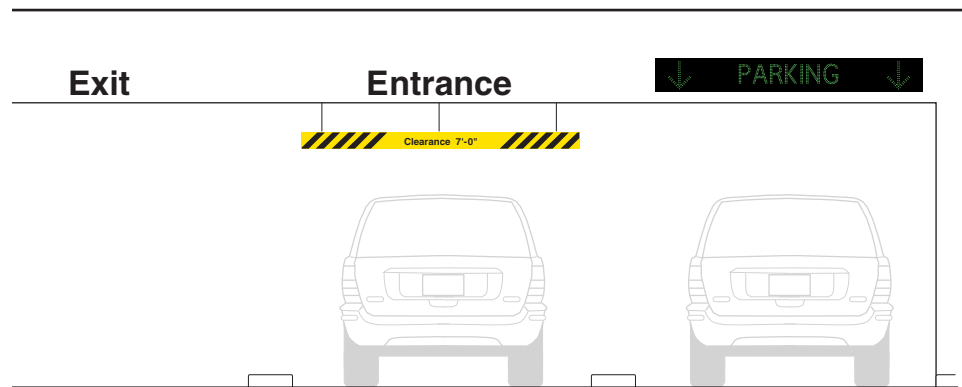
Sign Type PS-08, 09 and 10

Entrance/occupancy signs

PS-08
10" Dimensional letters

PS-09
Clearance height "bang bar"

PS-10
Electronic lane use sign



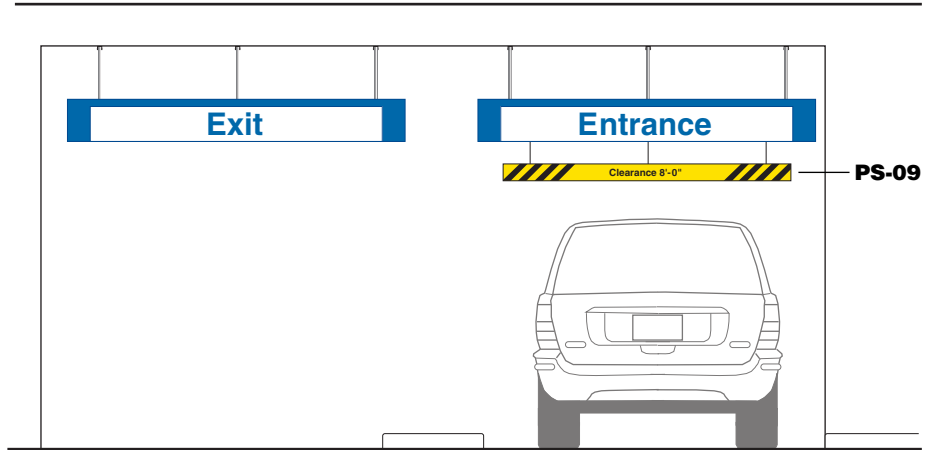
PS-08

PS-09

PS-10

PS-11

Entrance/Exit sign



PS-11

Sign Type PS-12.01

Panel informational signs

PS-12.03

Parking Stall Designation

PS-12.04

Handicapped parking stall

PS-12.05

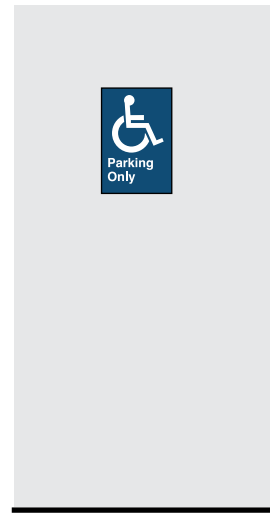
Handicapped Parking Area

PS-12.07

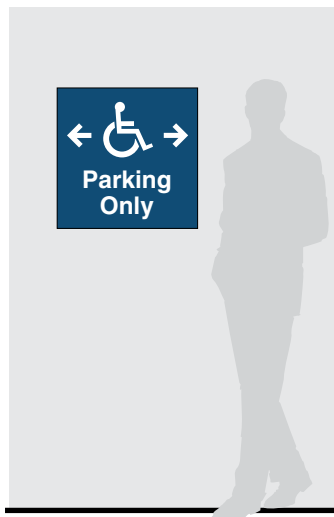
Informational panel sign mounted to wall



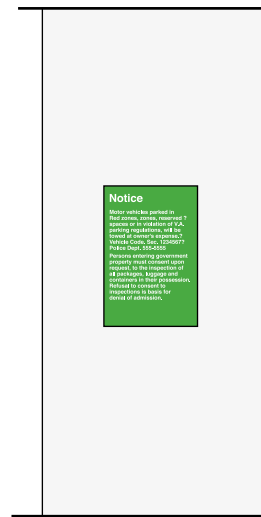
PS-12.03



PS-12.04

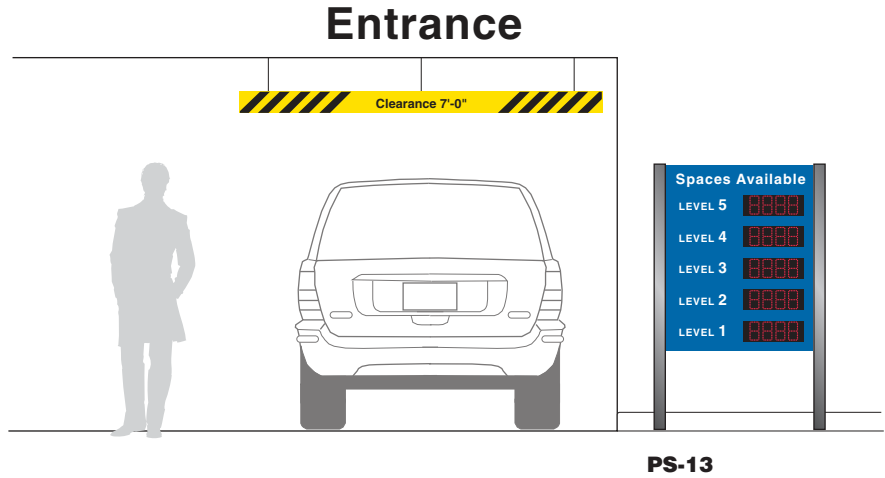


PS-12.05

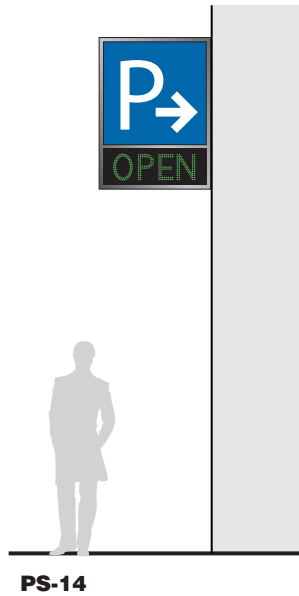


PS-12.07

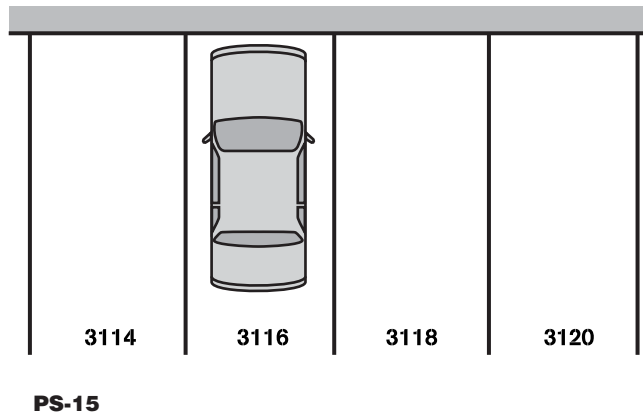
Sign Type PS-13
Electronic Stall Availability Sign



Sign Type PS-14
Exterior Building Mounted
Parking Directional/Availability Sign

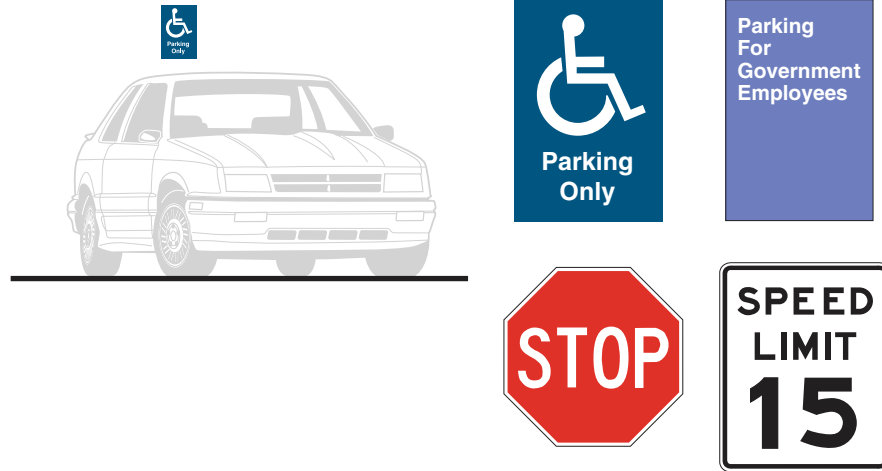


Sign Type PS-15
Painted Parking
Stall Identification



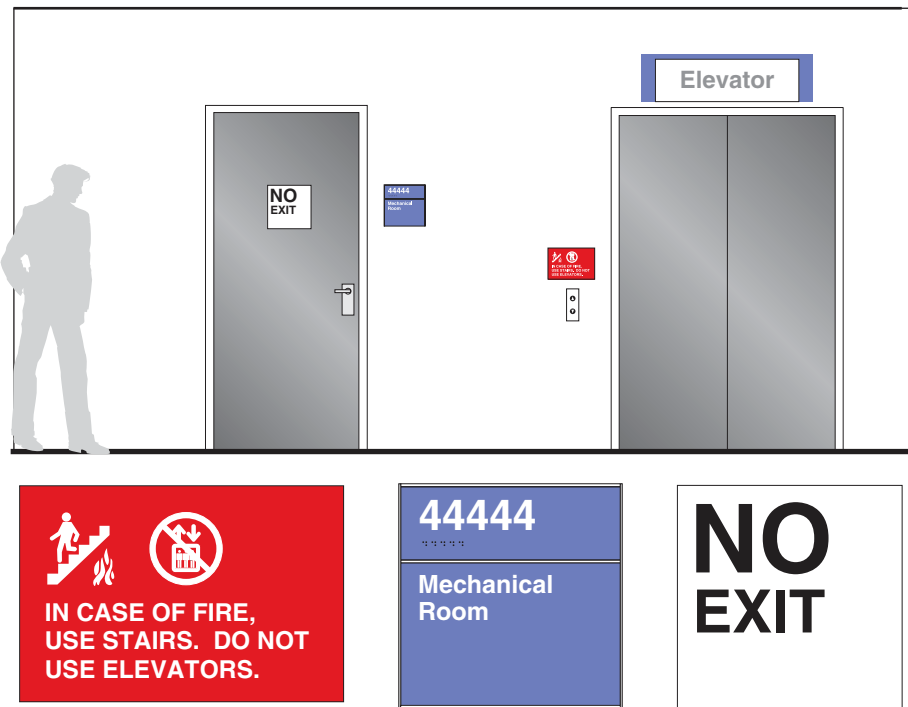
Parking Regulatory

See Exterior Sign Section for more detail.



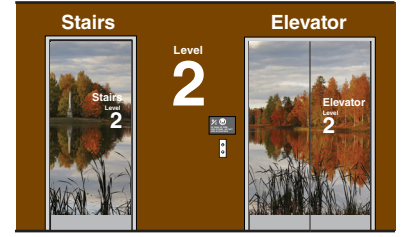
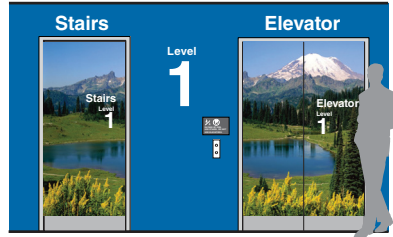
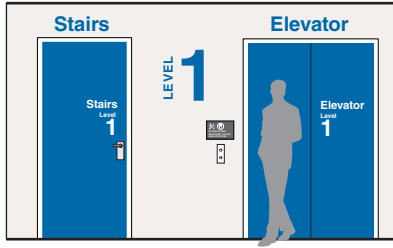
Informational Signs

See Interior Sign Section for more detail.



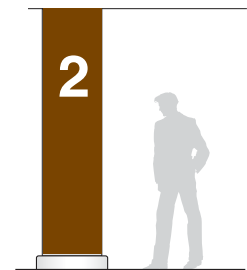
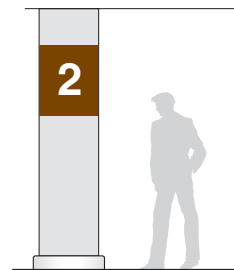
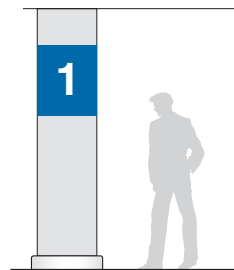
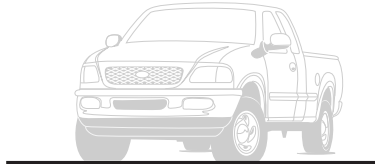
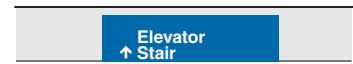
Painted / Vinyl Garage Core Graphics

See page 5-5-18 for more details.



Painted Wayfinding and Area Identification

See page 5-5-19 for more details.



22" – Long Ceiling Hung Directional

Size

Sign Face:
559 mm H x 3050 mm W
1' 10" H x 10' 0" W)

Description

Non-illuminated, ceiling hung sign. This sign type is directed specifically to drivers providing them information such as the exit, additional parking and the elevators or stairs.

Message Configuration

(Refer to message layout drawing for dimensions)

Message layout A allows for 2 message fields, 1 line of text at a larger type size.

Message layout B allows for up to 4 message fields, 2 lines of text, at a smaller type size.

Graphic Process

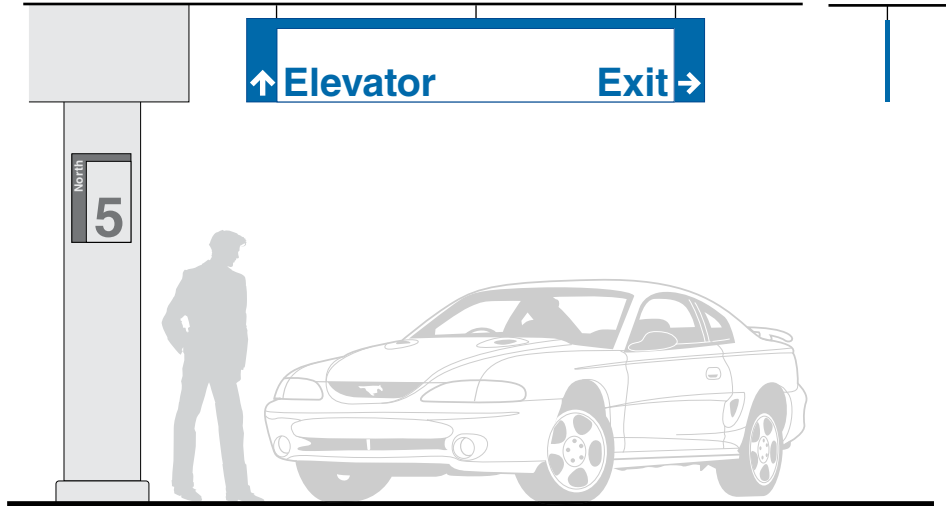
Surface applied vinyl.

Colors

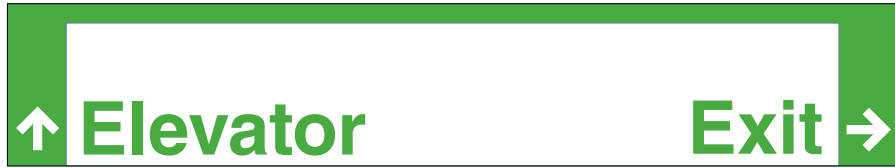
Text: various, refer to color chart
Background: various, refer to color chart.

Recommendations

Position sign so visibility is not obstructed by building support beams. Align sign with flow of traffic.



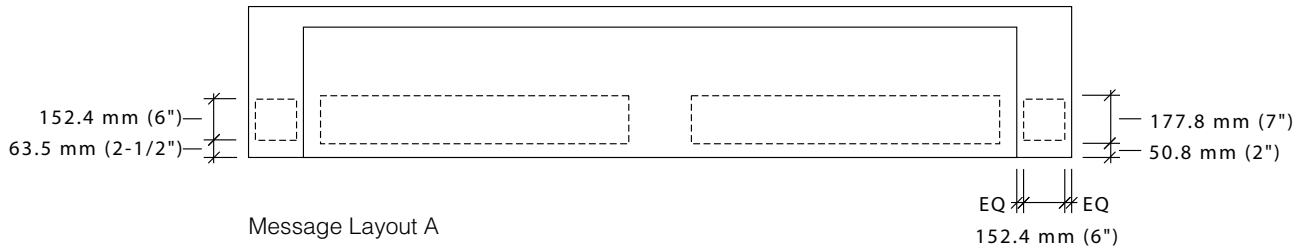
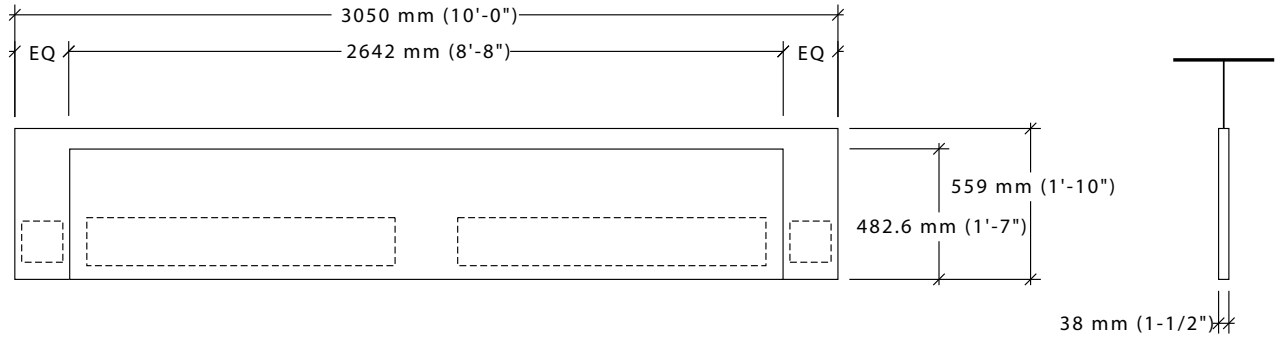
Message Layout A



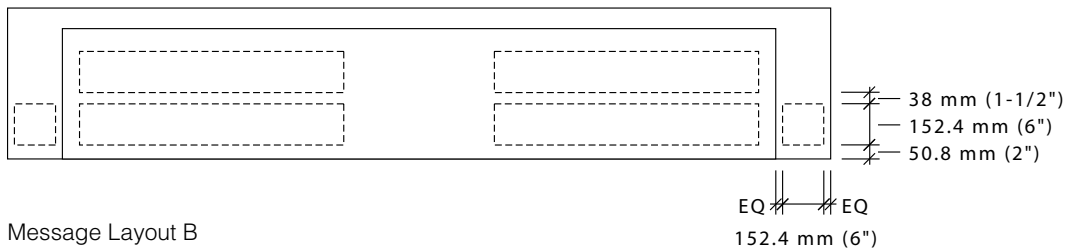
Message Layout B



Large Ceiling Hung Directional



Message Layout A



Message Layout B

22" – Short Ceiling Hung Directional

Size

Sign Face:
559 mm H x 1830 mm W
(1' 10" H x 6' 0" W)

Description

Non-illuminated, ceiling hung sign. This sign type is directed specifically to drivers providing them information such as the exit, additional parking and the elevators or stairs.

Message Configuration

(Refer to message layout drawing for dimensions)

Message layout A allows for 1 message line at a larger type size.

Message layout B allows for up to 2 message lines at a smaller type size.

Graphic Process

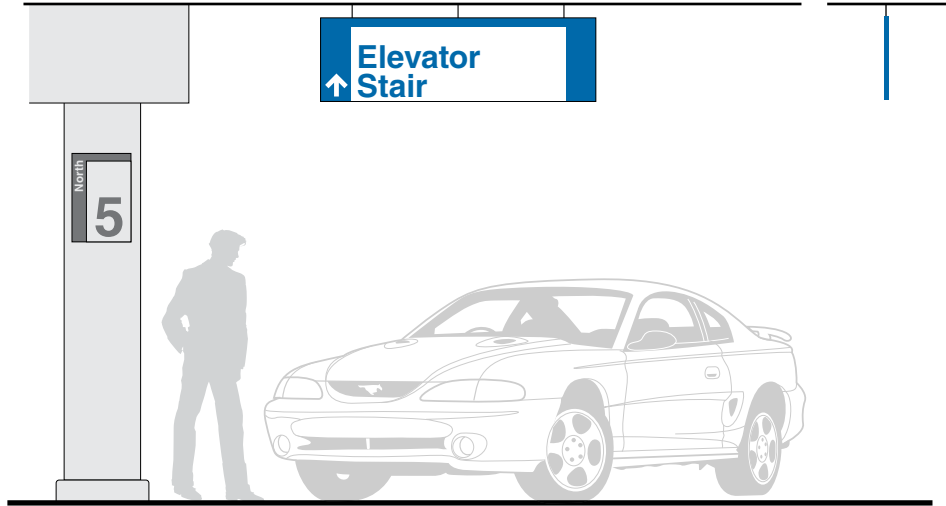
Surface applied vinyl.

Colors

Text: various, refer to color chart
Background: various, refer to color chart.

Recommendations

Position sign so invisibility is not obstructed by building support beams. Align sign with flow of traffic.



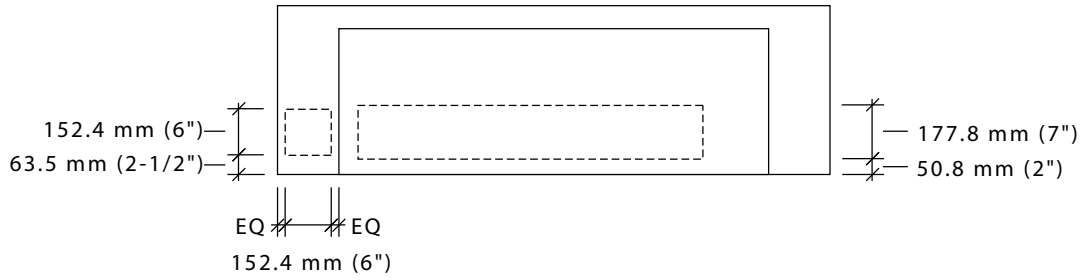
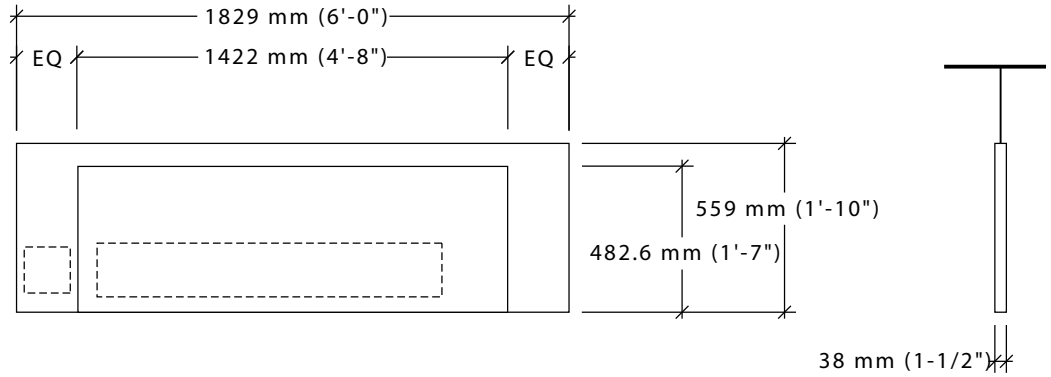
Message Layout A



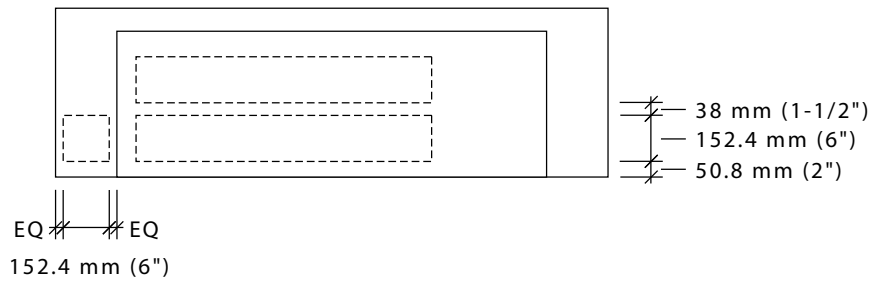
Message Layout B



Small Ceiling Hung Directional



Message Layout A



Message Layout B

15" – Long Ceiling Hung Directional

Size

Sign Face:
381 mm H x 3050 mm W
(1' 3" H x 10' 0" W)

Description

Non-illuminated, ceiling hung sign. This sign type is directed specifically to drivers providing them information such as the exit, additional parking and the elevators or stairs.

Message Configuration

(Refer to message layout drawing for dimensions)

Message layout A allows for 2 message fields, 1 line of text, at a larger type size.

Message layout B allows for up to 4 message fields, 2 lines of text, at a smaller type size.

Graphic Process

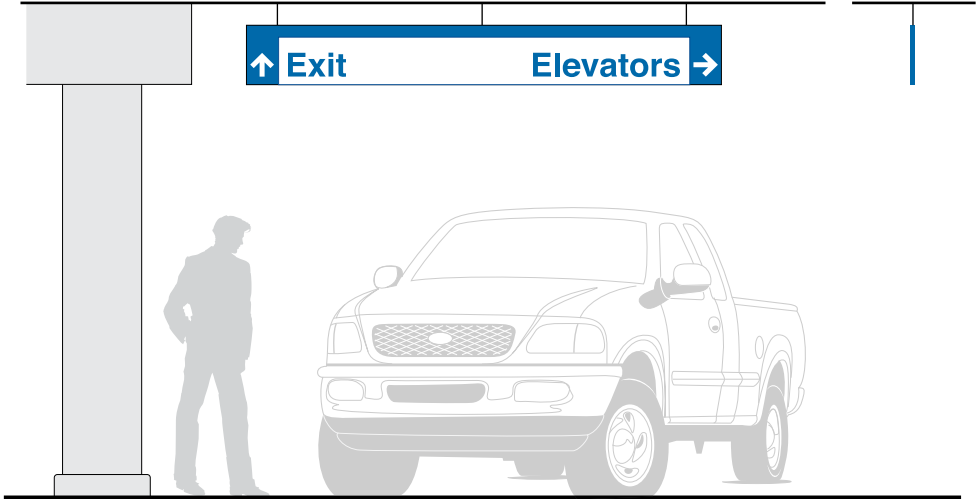
Surface applied vinyl.

Colors

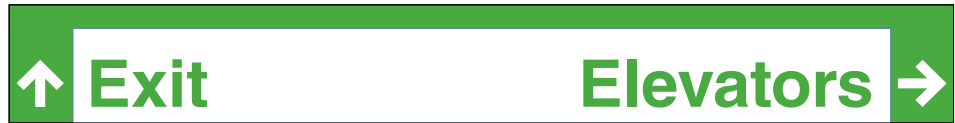
Text: various, refer to color chart
Background: various, refer to color chart.

Recommendations

Position sign so visibility is not obstructed by building support beams. Align sign with flow of traffic.



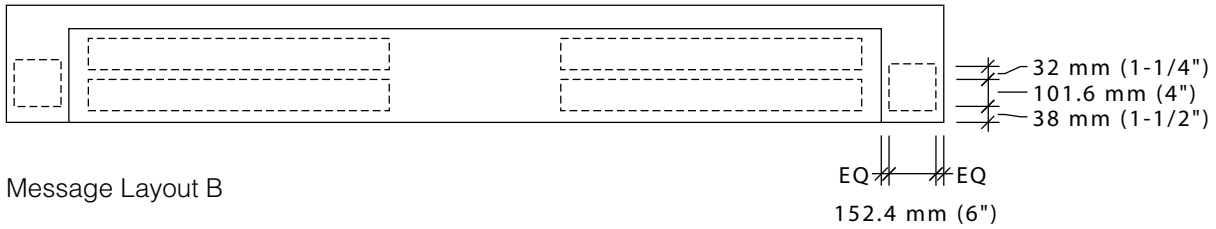
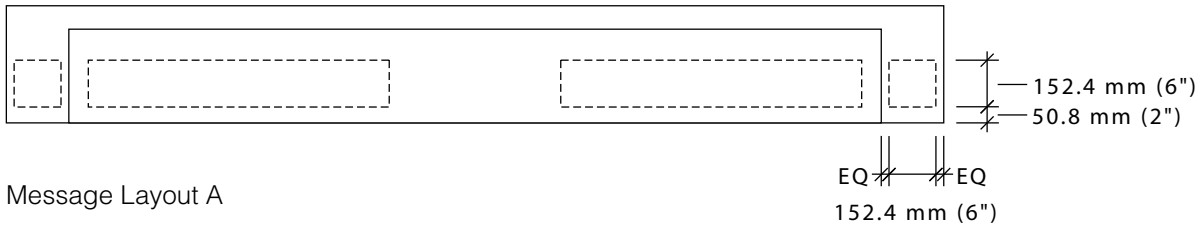
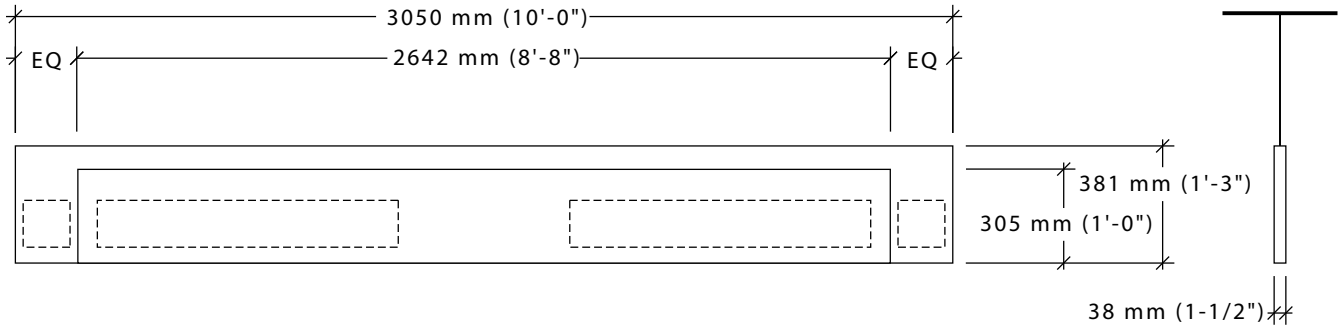
Message Layout A



Message Layout B



Large Ceiling Hung Directional



15" – Short Ceiling Hung Directional

Size

Sign Face:
381 mm H x 1830 mm W
(1' 3" H x 6' 0" W)

Description

Non-illuminated, ceiling hung sign. This sign type is directed specifically to drivers providing them information such as the exit, additional parking and the elevators or stairs.

Message Configuration

(Refer to message layout drawing for dimensions)

Message layout A allows for 1 message line at a larger type size.

Message layout B allows for up to 2 message lines at a smaller type size.

Graphic Process

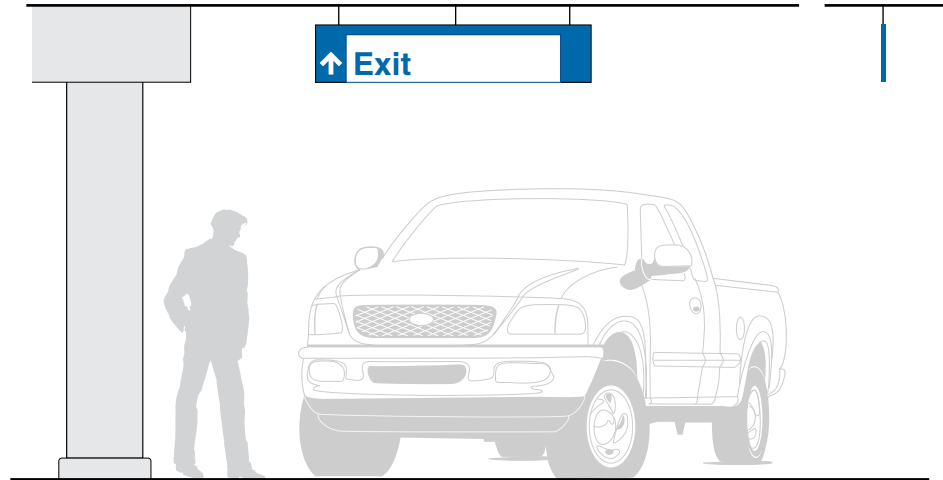
Surface applied vinyl.

Colors

Text: various, refer to color chart
Background: various, refer to color chart.

Recommendations

Position sign so visibility is not obstructed by building support beams. Align sign with flow of traffic.



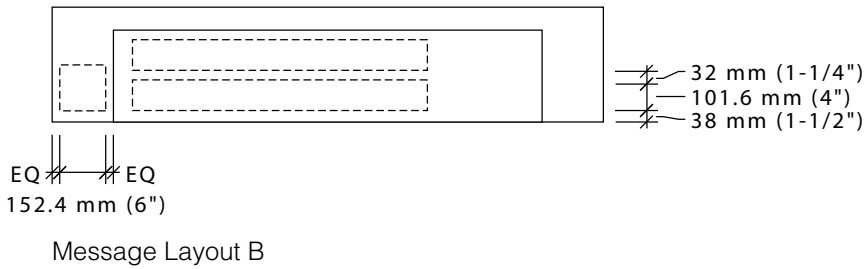
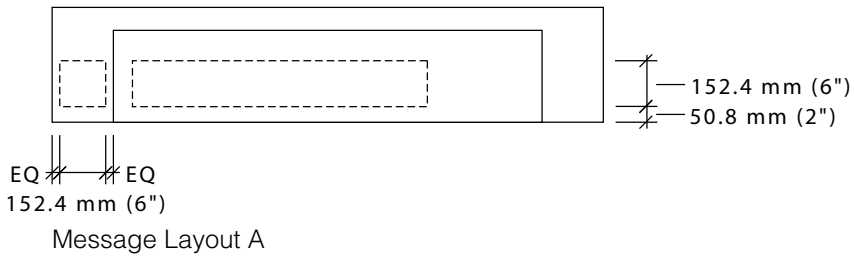
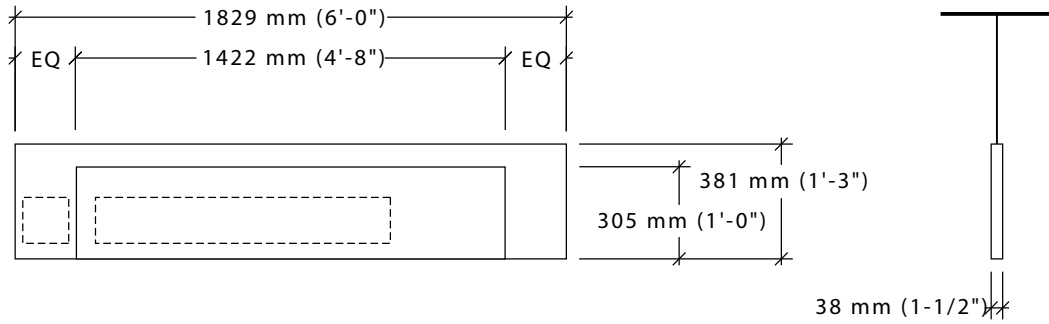
Message Layout A



Message Layout B



Small Ceiling Hung Directional



22" – Long Beam Mounted Directional

Size

Sign Face:
559 mm H x 3050 mm W
(1' 10" H x 10' 0" W)

Description

Non-illuminated, beam mounted sign. This sign type is directed specifically to drivers providing them information such as the exit, additional parking and the elevators or stairs.

Message Configuration

(Refer to message layout drawing for dimensions)

Message layout A allows for 2 message fields, 1 line of text, at a larger type size.

Message layout B allows for up to 4 message fields, 2 lines of text, at a smaller type size.

Graphic Process

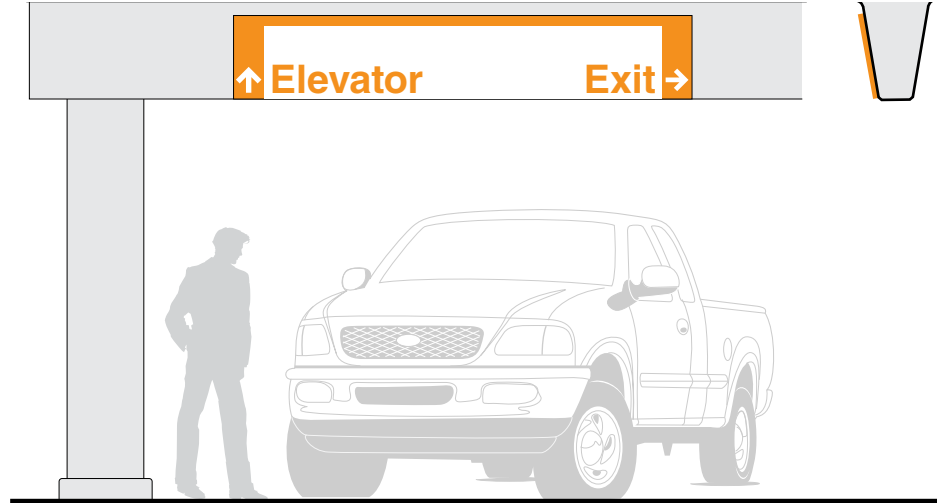
Surface applied vinyl.

Colors

Text: various, refer to color chart
Background: various, refer to color chart.

Recommendations

Position sign on bottom edge of beam/soffit and align sign with flow of traffic.



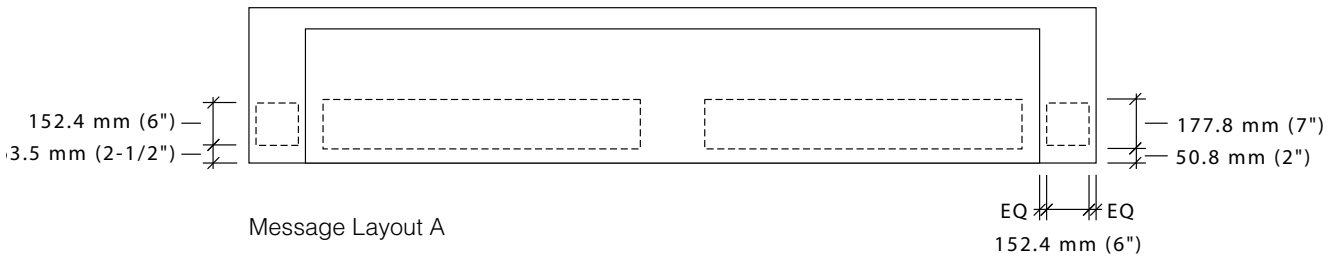
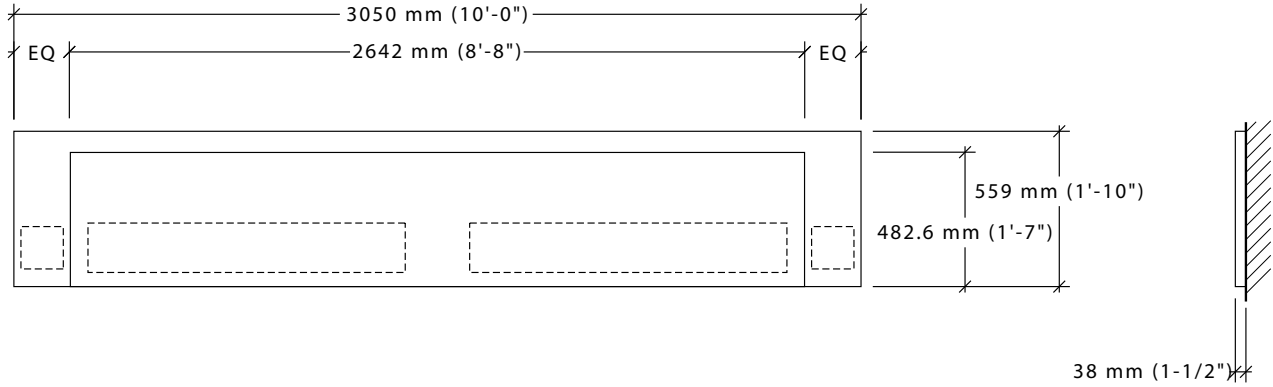
Message Layout A



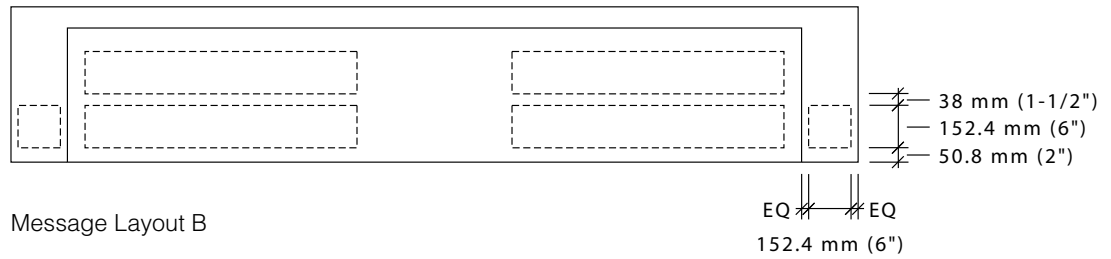
Message Layout B



Large Beam Mounted Directional



Message Layout A



Message Layout B

22" – Short Beam Mounted Directional

Size

Sign Face:
559 mm H x 1830 mm W
(1' 10" H x 6' 0" W)

Description

Non-illuminated, beam mounted sign. This sign type is directed specifically to drivers providing them information such as the exit, additional parking and the elevators or stairs.

Message Configuration

(Refer to message layout drawing for dimensions)

Message layout A allows for 1 message line at a larger type size.

Message layout B allows for up to 2 message lines at a smaller type size.

Graphic Process

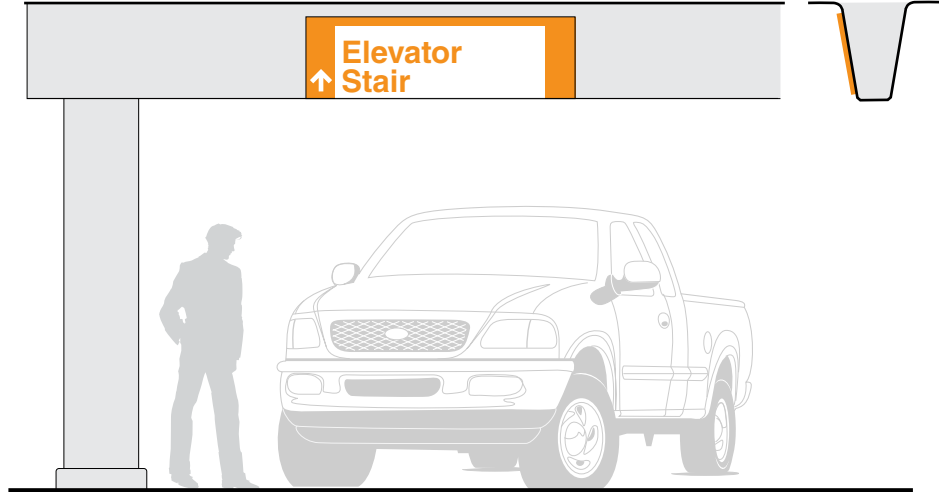
Surface applied vinyl.

Colors

Text: various, refer to color chart
Background: various, refer to color chart.

Recommendations

Position sign on bottom edge of beam/soffit and align sign with flow of traffic.



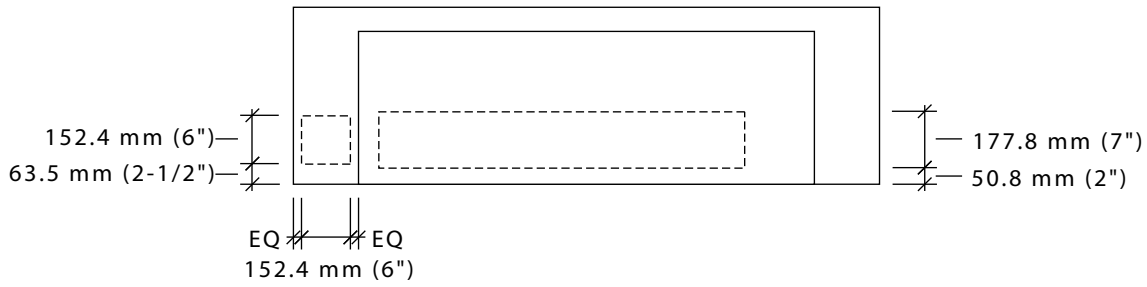
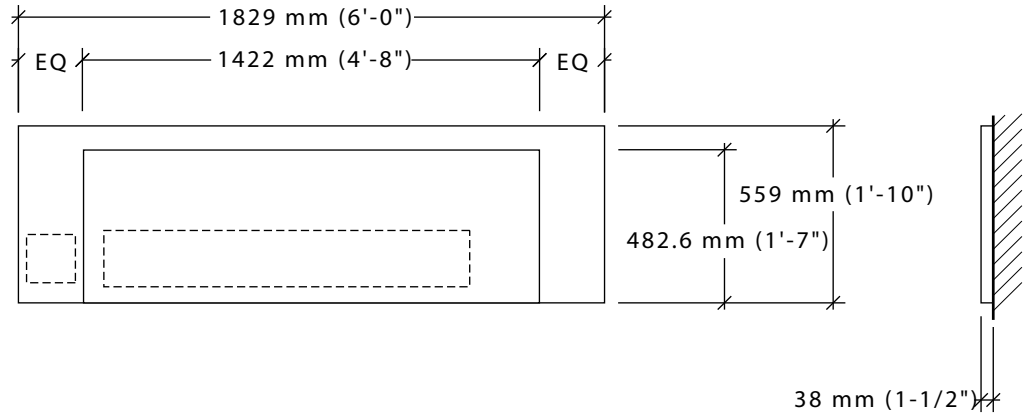
Message Layout A



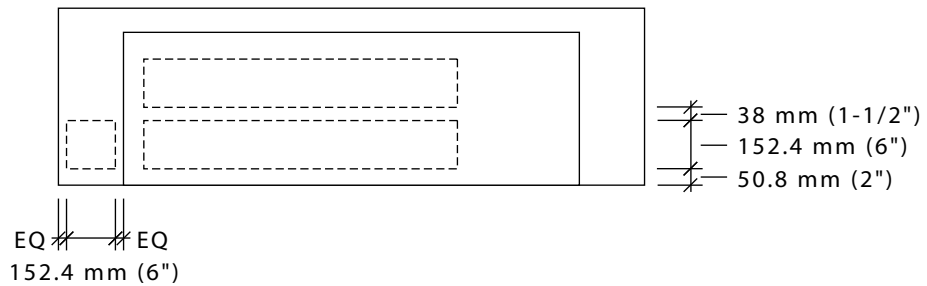
Message Layout B



Small Beam Mounted Directional



Message Layout A



Message Layout B

15" – Long Beam Mounted Directional

Size

Sign Face:
381 mm H x 3050 mm W
(1' 3" H x 10' 0" W)

Description

Non-illuminated, beam mounted sign. This sign type is directed specifically to drivers providing them information such as the exit, additional parking and the elevators or stairs.

Message Configuration

(Refer to message layout drawing for dimensions)

Message layout A allows for 2 message fields, 2 lines of text, at a larger type size.

Message layout B allows for up to 4 message fields, 2 lines of text, at a smaller type size.

Graphic Process

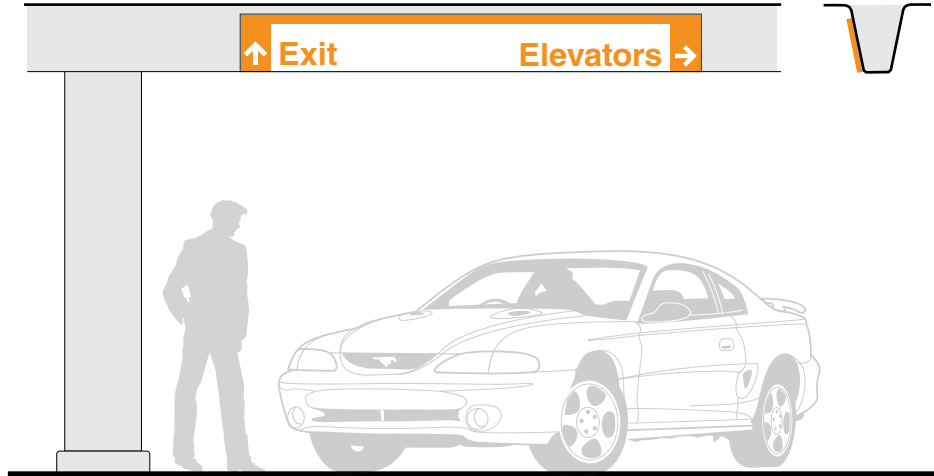
Surface applied vinyl.

Colors

Text: various, refer to color chart
Background: various, refer to color chart.

Recommendations

Position sign on bottom edge of beam/soffit and align sign with flow of traffic.



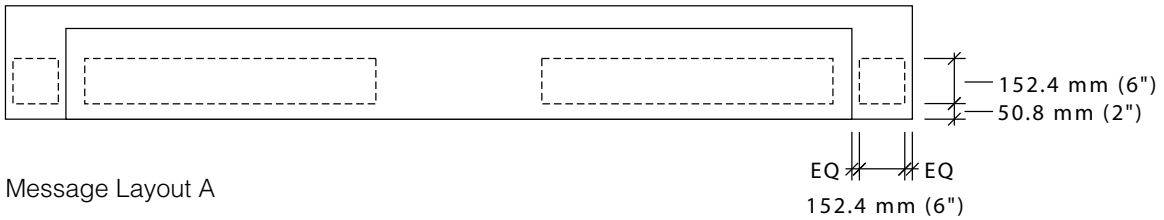
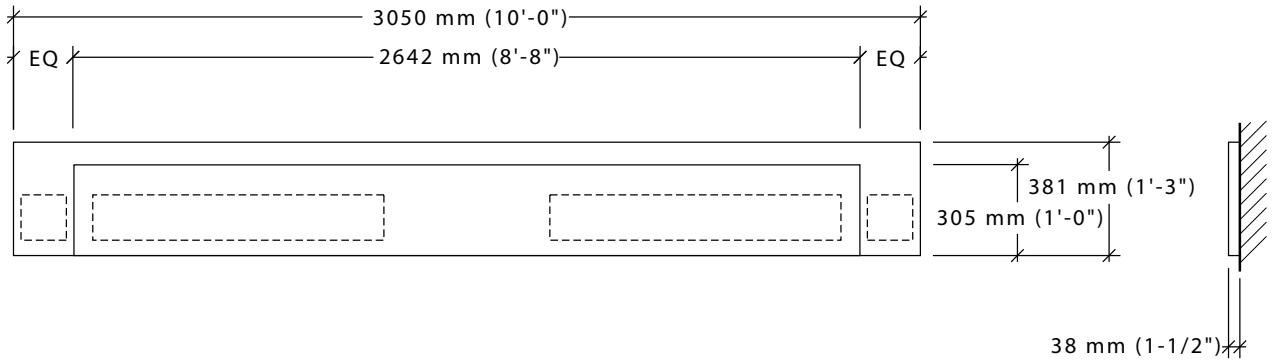
Message Layout A



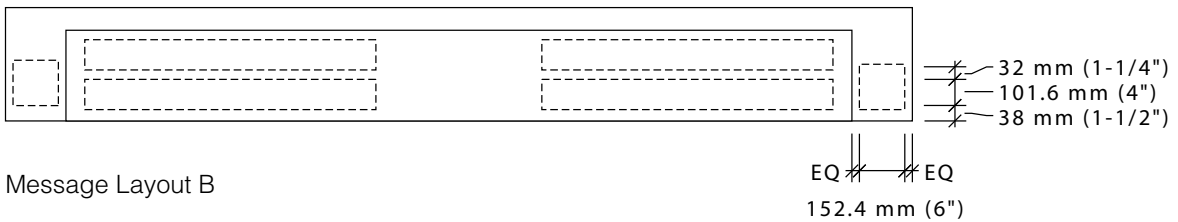
Message Layout B



Large Beam Mounted Directional



Message Layout A



Message Layout B

15" – Short Beam Mounted Directional

Size

Sign Face:
381 mm H x 1830 mm W
(1' 3" H x 6' 0" W)

Description

Non-illuminated, beam mounted sign. This sign type is directed specifically to drivers providing them information such as the exit, additional parking and the elevators or stairs.

Message Configuration

(Refer to message layout drawing for dimensions)

Message layout A allows for 1 message line at a larger type size.

Message layout B allows for up to 2 message lines at a smaller type size.

Graphic Process

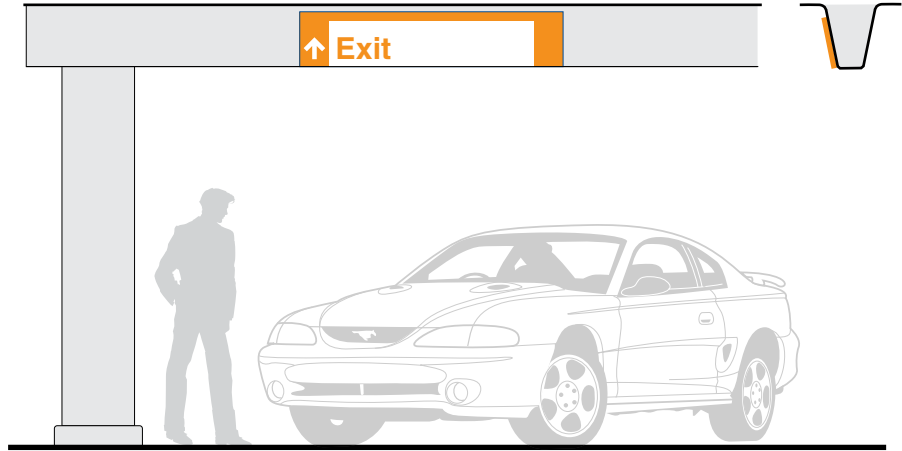
Surface applied vinyl.

Colors

Text: various, refer to color chart
Background: various, refer to color chart.

Recommendations

Position sign on bottom edge of beam/soffit and align sign with flow of traffic.



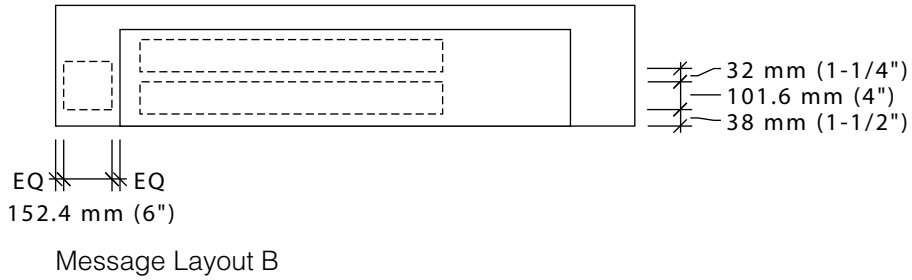
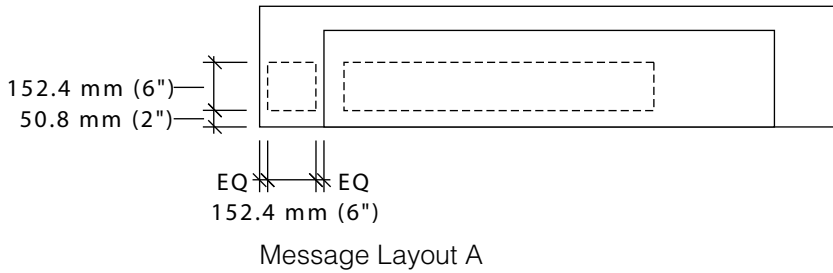
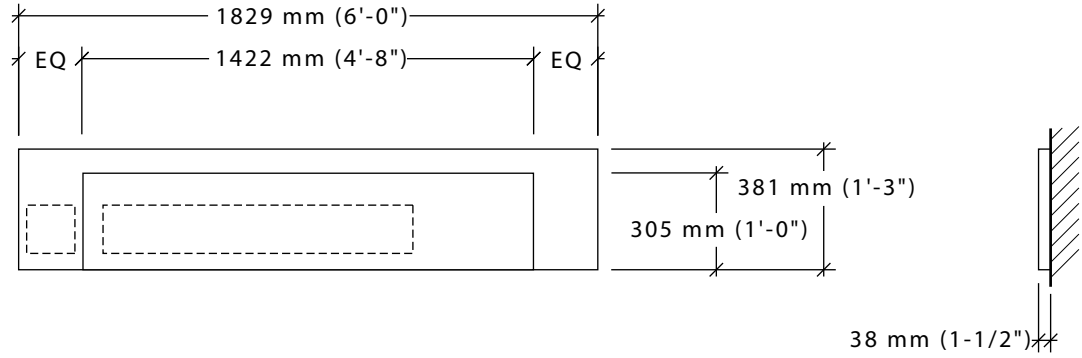
Message Layout A



Message Layout B



Small Beam Mounted Directional



Small Wall Mounted Level and Directional

Size

Sign Face:
915 mm H x 610 mm W
(3' 0" H x 2' 0" W)

Description and Use

Floor identification and directional information specifically targeted to pedestrians. Floor identification signs to be placed next to or near elevators, and exits.

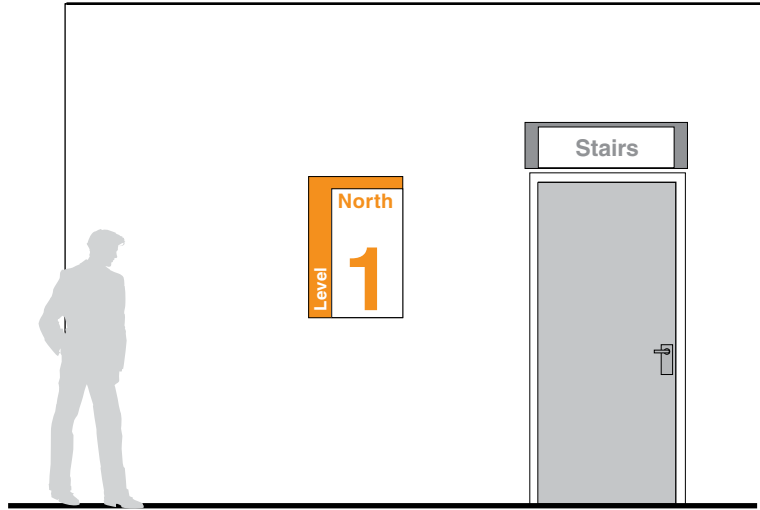
Message Configuration

(Refer to message layout drawing for dimensions)

Message layout A is used for directional as well as floor level information.

Message layout B is used for floor level identification.

Message layout C is used to provide directional information.



Graphic Process

Surface applied vinyl.

Colors

Text: various, refer to color chart
Background: various, refer to color chart.

Recommendations

Position sign so pedestrians have a clear, unobstructed view of the sign.

Message Layout A



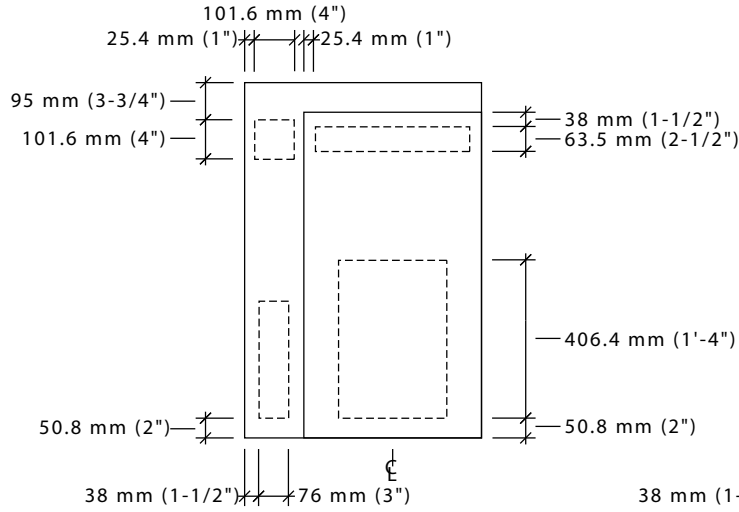
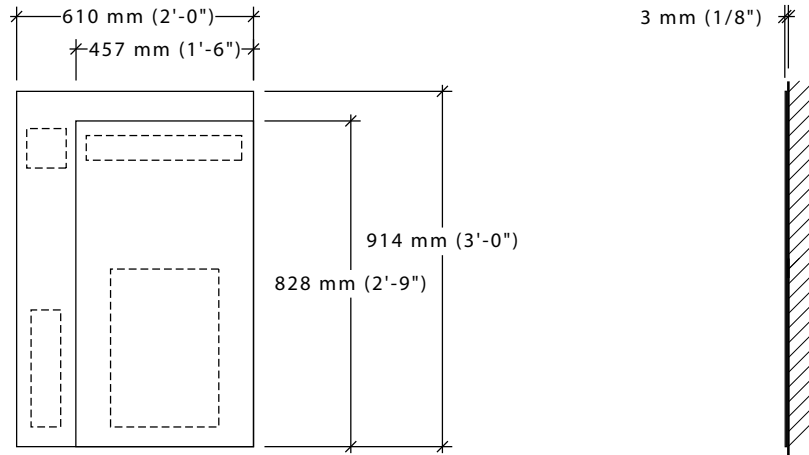
Message Layout B



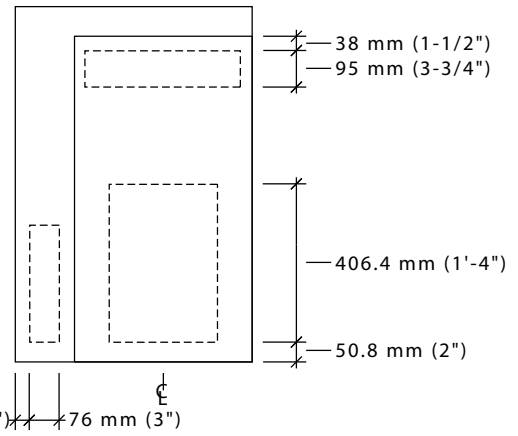
Message Layout C



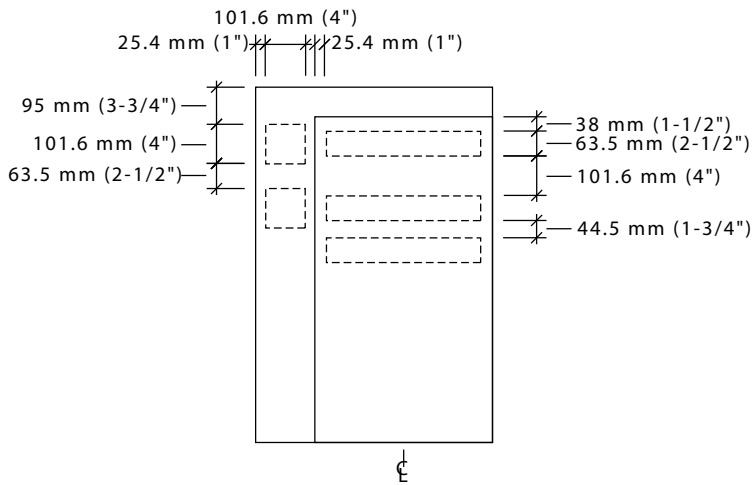
Small Wall Mounted Level and Directional



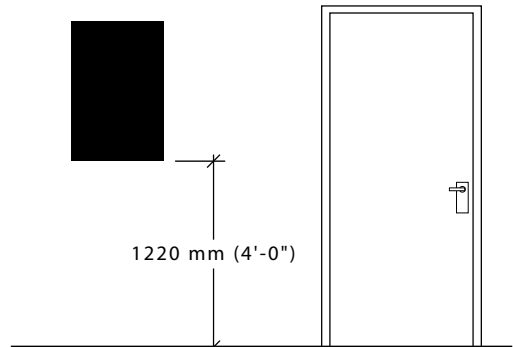
Message Layout A



Message Layout B



Message Layout C



Large Wall Mounted Level and Directional

Size

Sign Face:
1219 mm H x 813 mm W
(4' 0" H x 2' 8" W)

Description and Use

Floor identification and directional information specifically targeted to vehicular traffic. Floor identification signs to be placed next to or near elevators, and exits.

Message Configuration

(Refer to message layout drawing for dimensions)

Message layout A is used for directional as well as floor level information.

Message layout B is used for floor level identification.

Message layout C is used to provide directional information.

Graphic Process

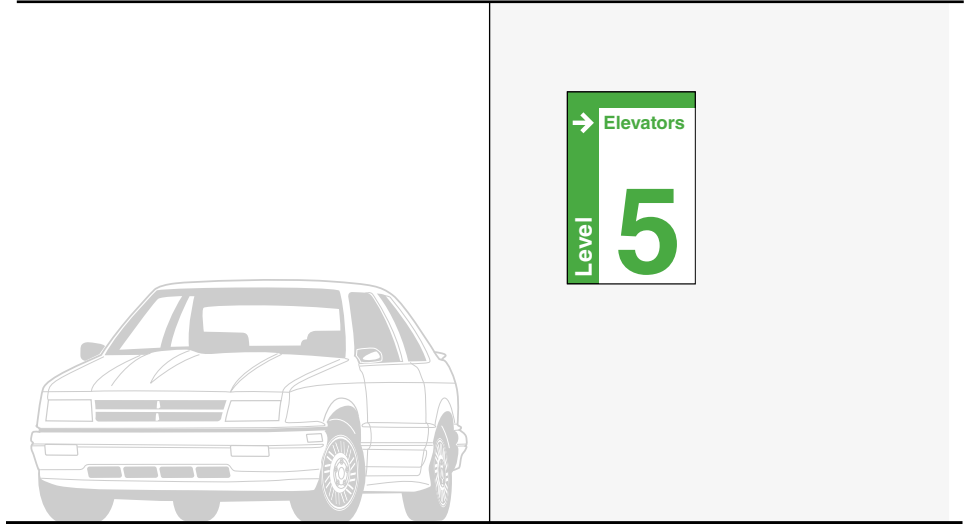
Surface applied vinyl.

Colors

Text: various, refer to color chart
Background: various, refer to color chart.

Recommendations

Position sign so drivers have a clear, unobstructed view of the sign.



Message Layout A



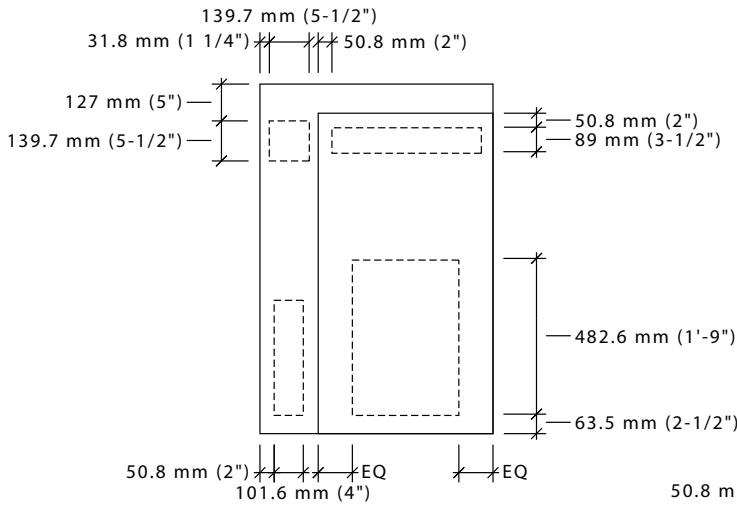
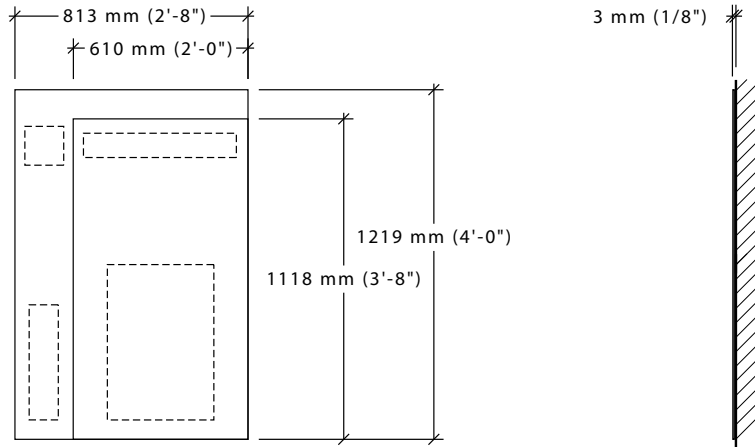
Message Layout B



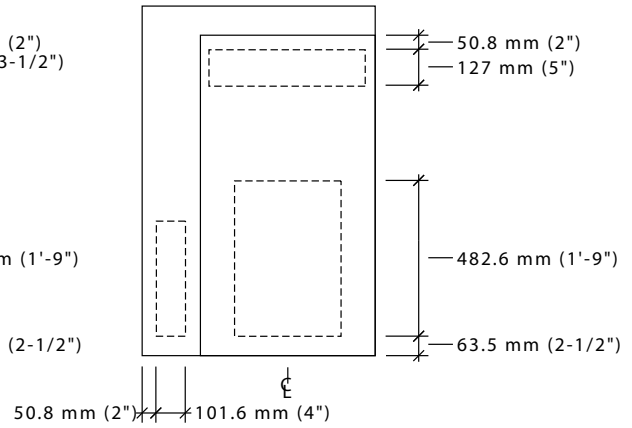
Message Layout C



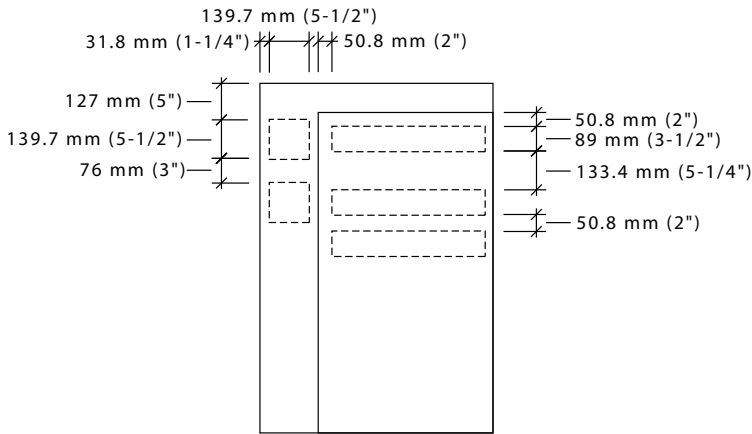
Large Wall Mounted Level and Directional



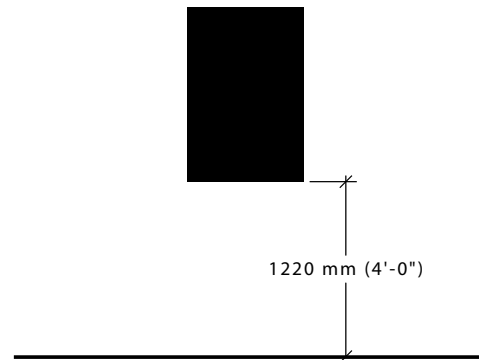
Message Layout A



Message Layout B



Message Layout C



Wall Mounted Warning

Size

Sign Face:
457 mm H x 1067 mm W
(1' 6" H x 3' 3" W)

Description and Use

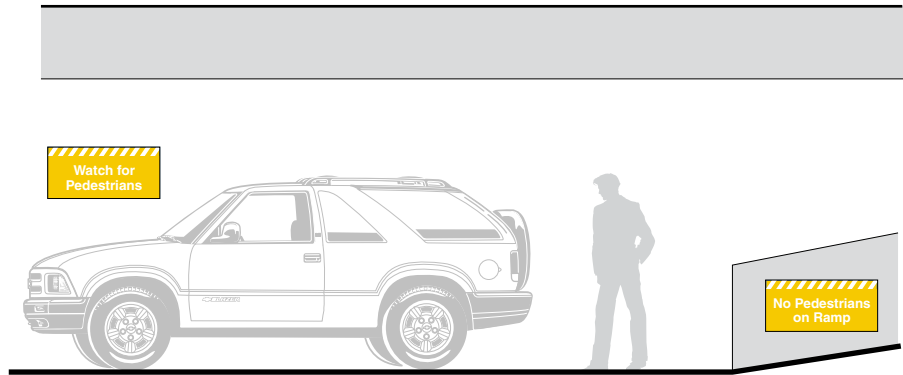
Precautionary information placed strategically to avoid traffic conflict or accidents.

Message Configuration

(Refer to message layout drawing for dimensions)

Message layout A is pedestrian regulatory sign.

Message layout B, C, D, E and F are used primarily for vehicular traffic.



Graphic Process

Surface applied vinyl.

Colors

Text: various, refer to color chart
Background: various, refer to color chart.

Recommendations

Position sign so drivers have a clear, unobstructed view of the sign.

Message Layout A



Message Layout B



Message Layout C



Message Layout D



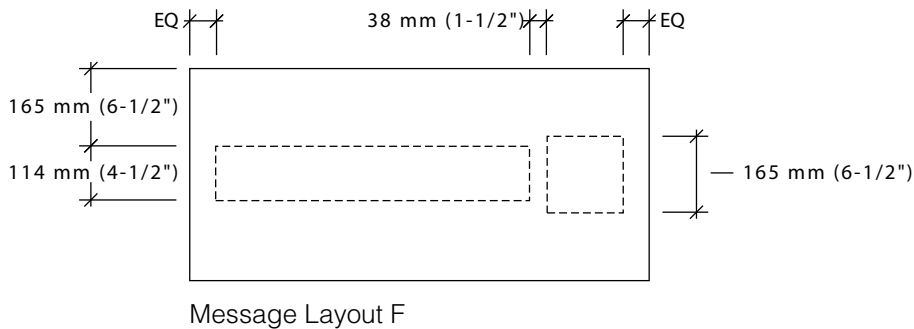
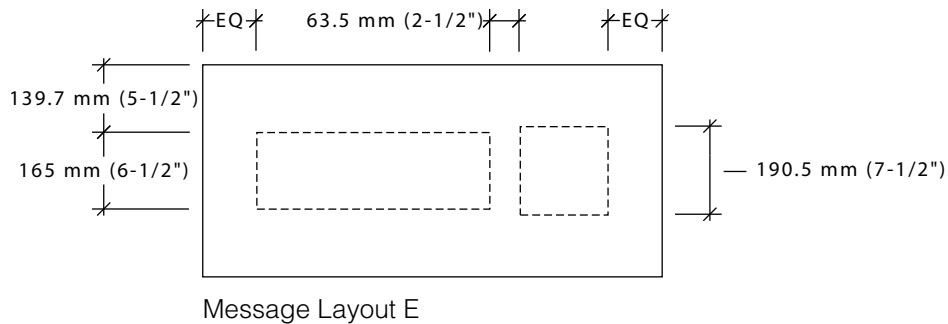
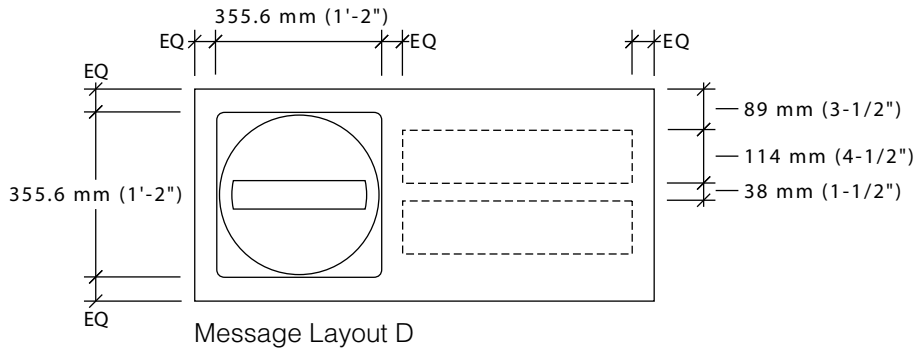
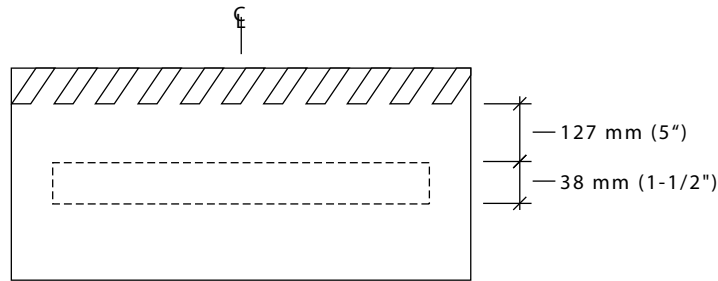
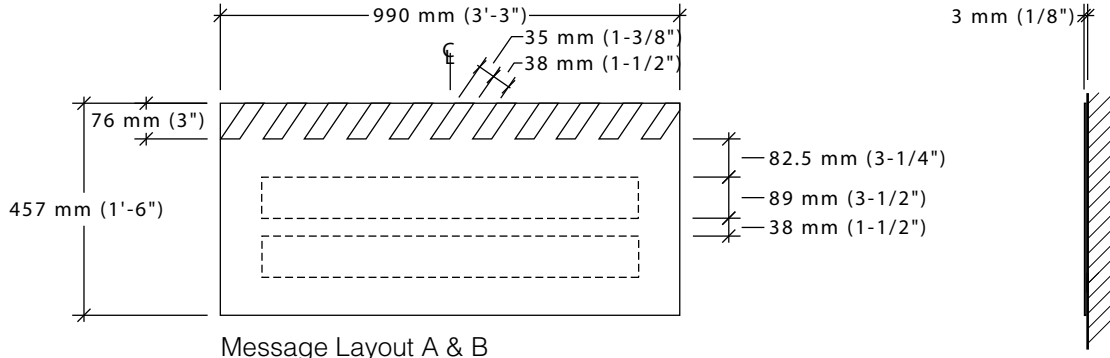
Message Layout E



Message Layout F



Wall Mounted Warning



Square Column Marker

Size

Sign Face:
839 mm H x 559 mm W
(2' 9" H x 1' 10" W)

Description and Use

Floor level identification marker for placement on the wide faces of the column.

Message Configuration

(Refer to message layout drawing for dimensions)

Graphic Process

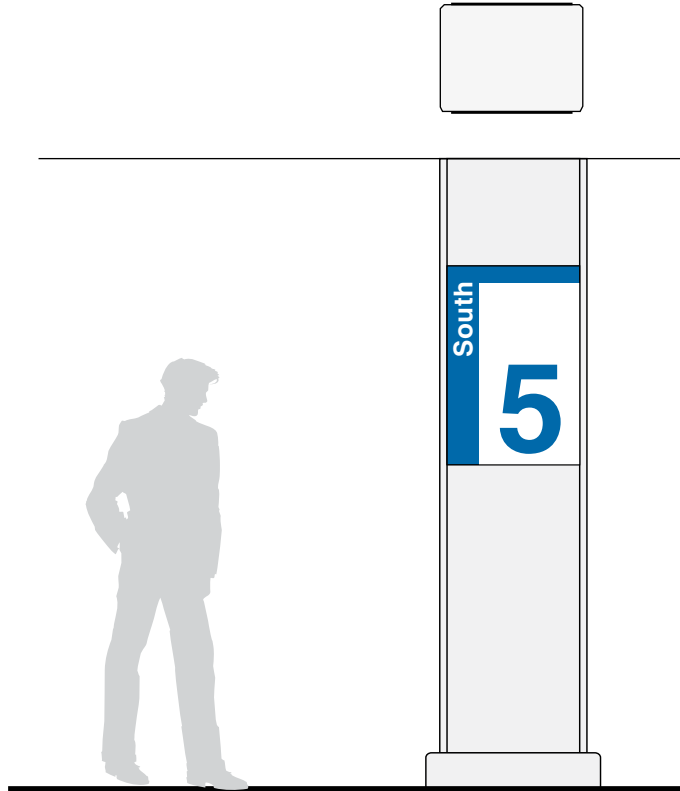
Surface applied vinyl.

Colors

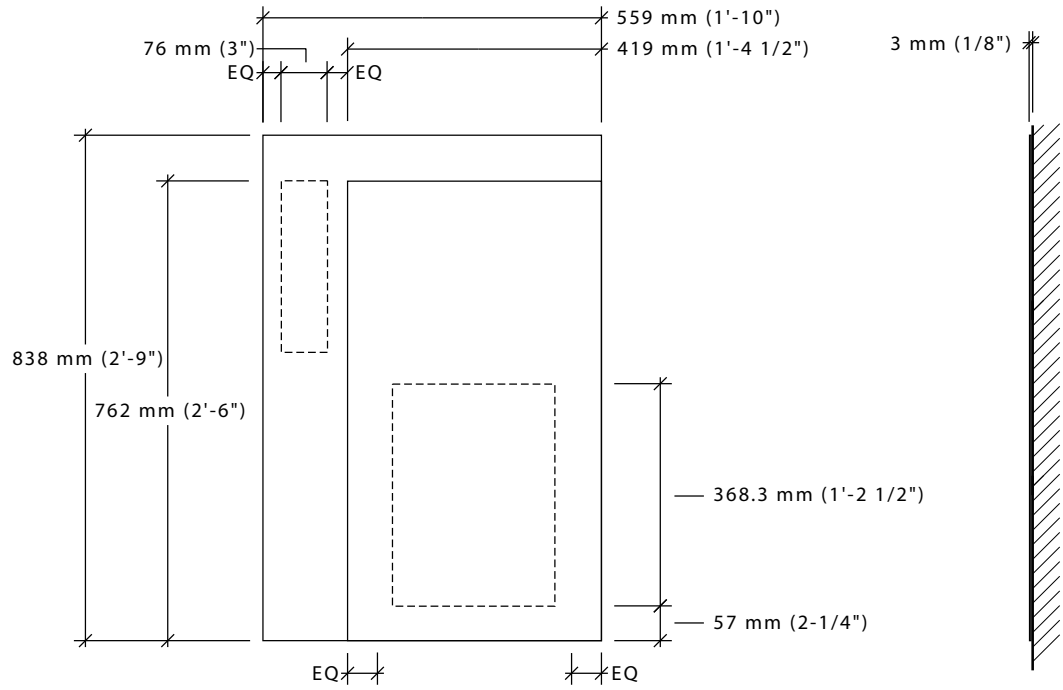
Text: various, refer to color chart
Background: various, refer to color chart.

Recommendations

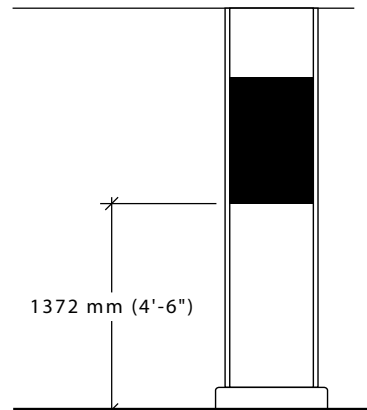
Position sign so drivers have a clear, unobstructed view of the sign.

**Message Layout A**

Square Column Marker



Message Layout A



Narrow Column Marker

Size

Sign Face:
839 mm H x 407 mm W
(2' 9" H x 1' 4" W)

Description and Use

Floor level identification marker for placement on the faces of narrow columns.

Message Configuration

(Refer to message layout drawing for dimensions)

Graphic Process

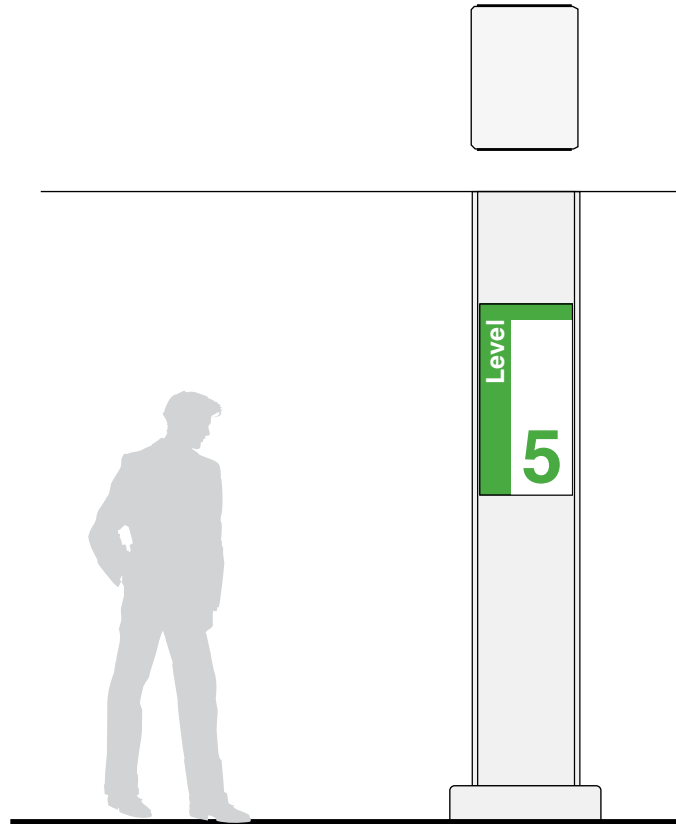
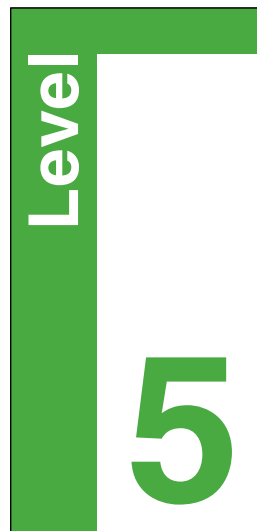
Surface applied vinyl.

Colors

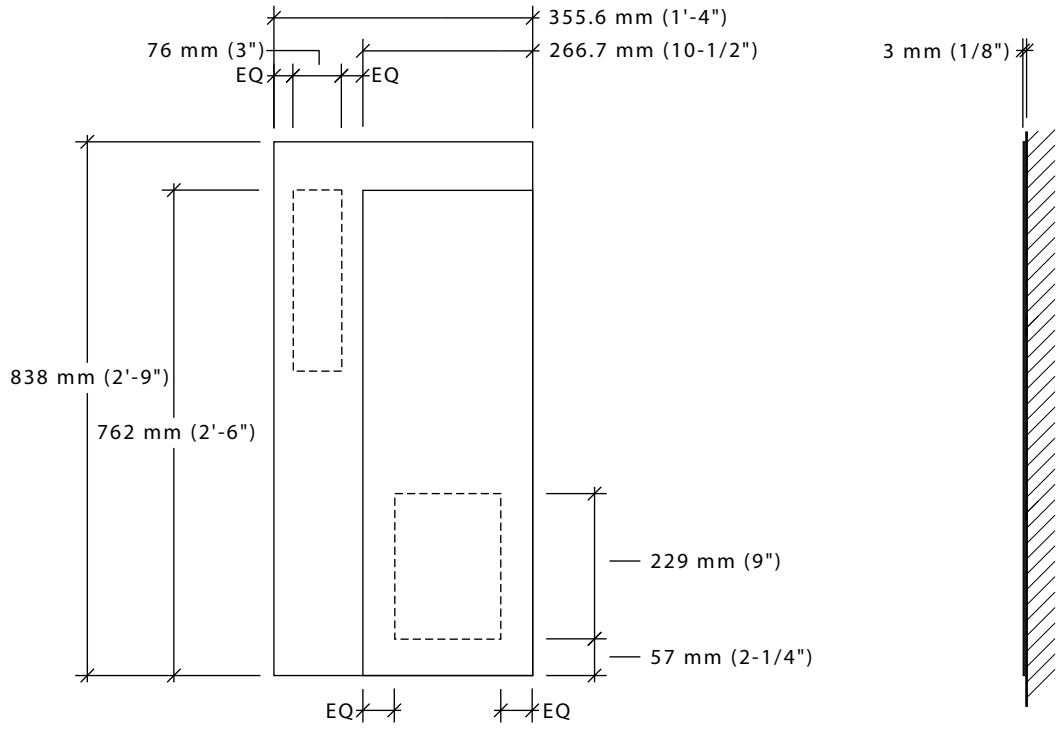
Text: various, refer to color chart
Background: various, refer to color chart.

Recommendations

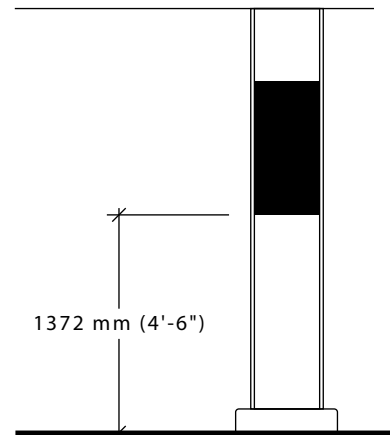
Position sign so drivers have a clear, unobstructed view of the sign.

**Message Layout A**

Narrow Column Marker



Message Layout A



Round Column Marker

Size

Sign Face:
610 mm H x 610 mm W
(2' 0" H x 2' 0" W)

Description and Use

Floor level identification marker for placement on round columns.

Message Configuration

(Refer to message layout drawing for dimensions)

Graphic Process

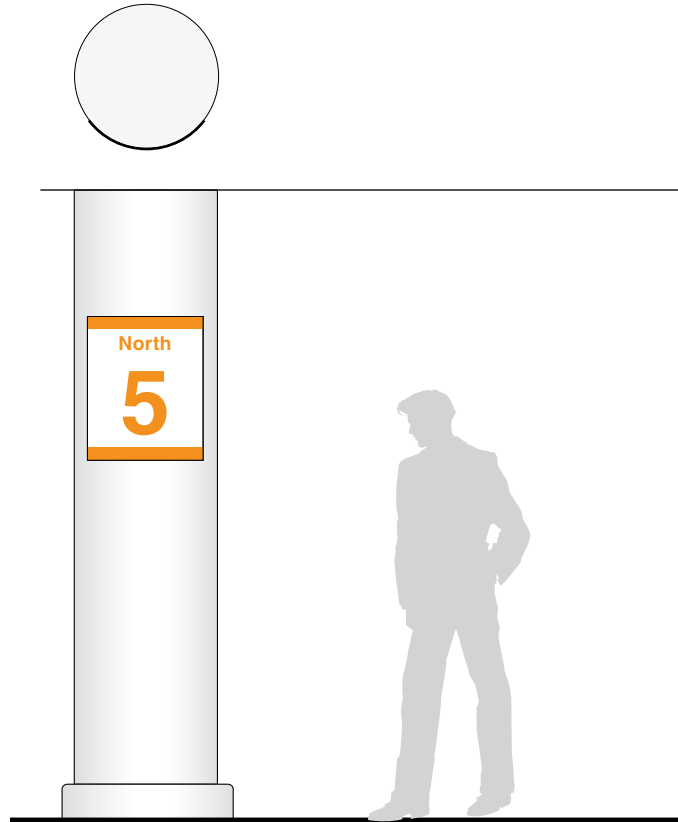
Surface applied vinyl.

Colors

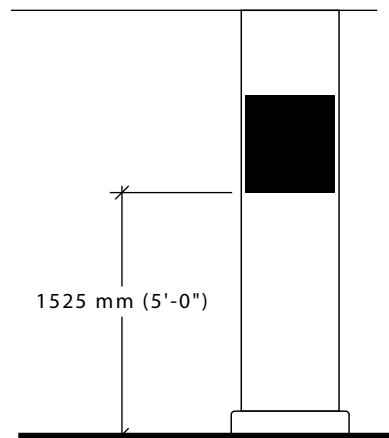
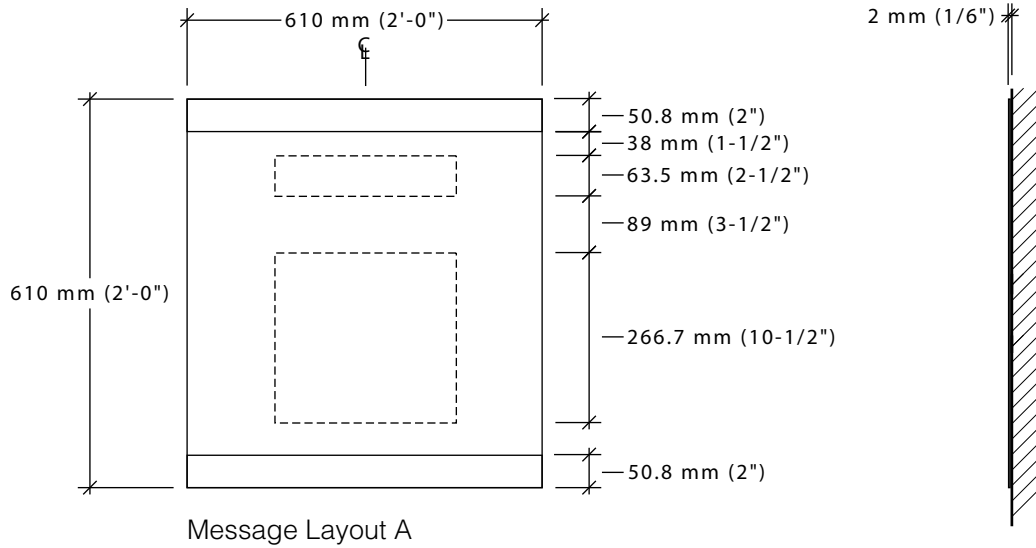
Text: various, refer to color chart
Background: various, refer to color chart.

Recommendations

Position sign so drivers have a clear, unobstructed view of the sign.

**Message Layout A**

Round Column Marker



Small Round Column Marker

Size

Sign Face:
559 mm H x 559 mm W
(1' 6" H x 1' 6" W)

Description and Use

Floor level identification marker for placement on round columns.

Message Configuration

(Refer to message layout drawing for dimensions)

Graphic Process

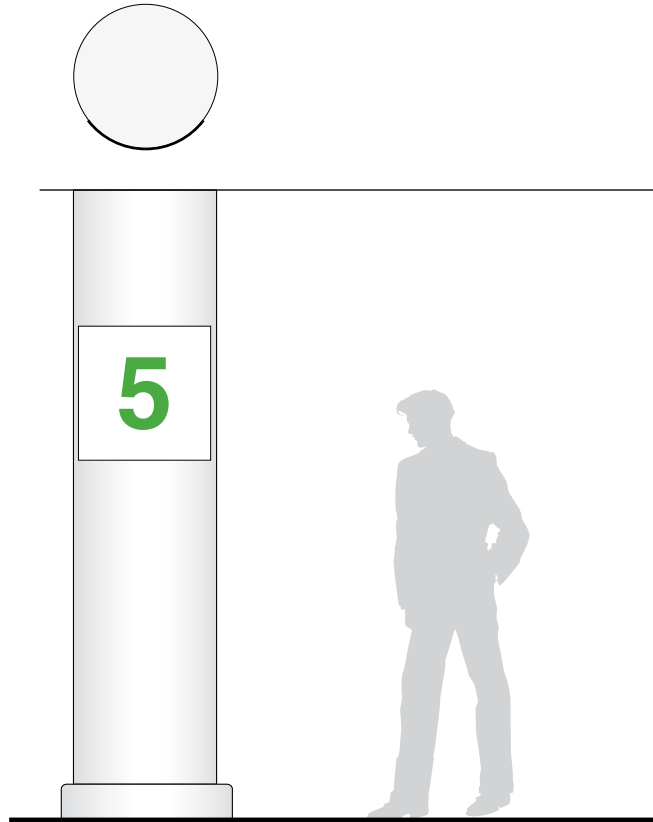
Surface painted

Colors

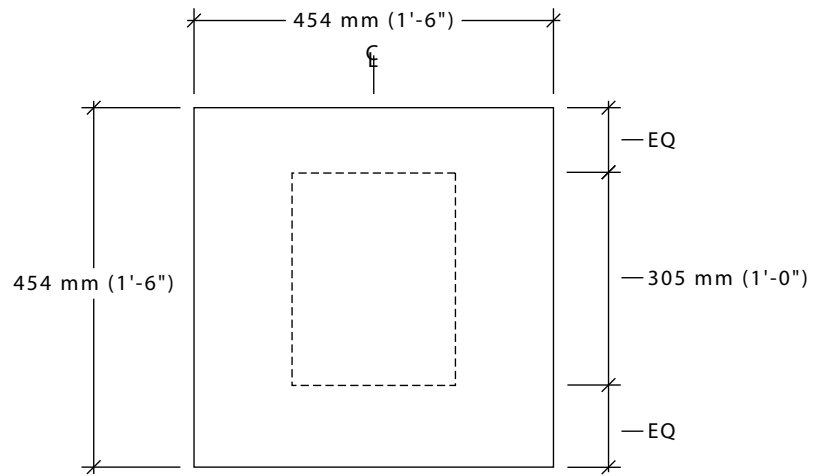
Text: various, refer to color chart
Background: various, refer to color chart.

Recommendations

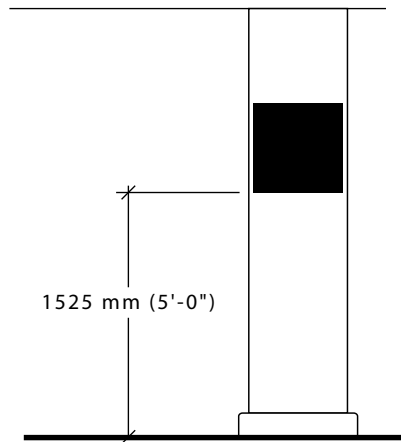
Position sign so drivers have a clear, unobstructed view of the sign.

**Message Layout A**

Small Round Column Marker



Message Layout A



Pole Mount Marker

Size

Sign Face:
839 mm H x 559 mm W
(2' 9" H x 1' 10" W)

Description

Floor Level identification marker for placement on pole.

Message Configuration

(Refer to message layout drawing for dimensions)

Graphic Process

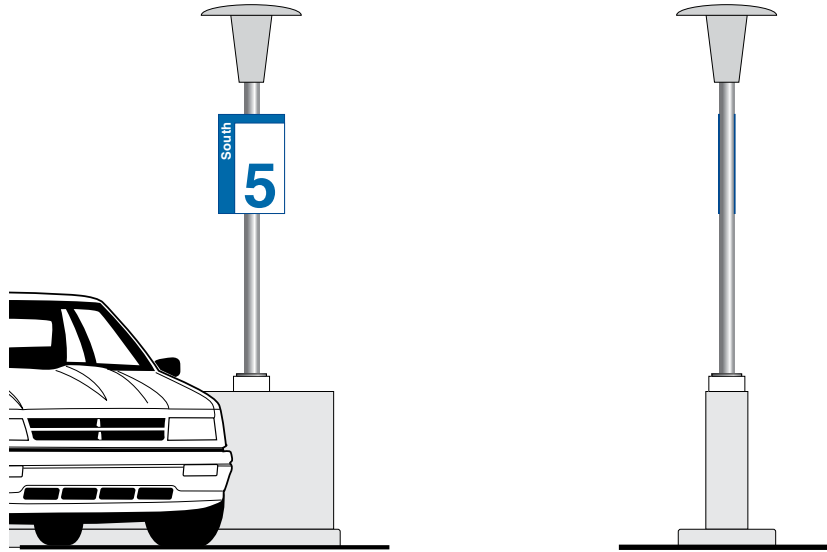
Surface applied vinyl.

Colors

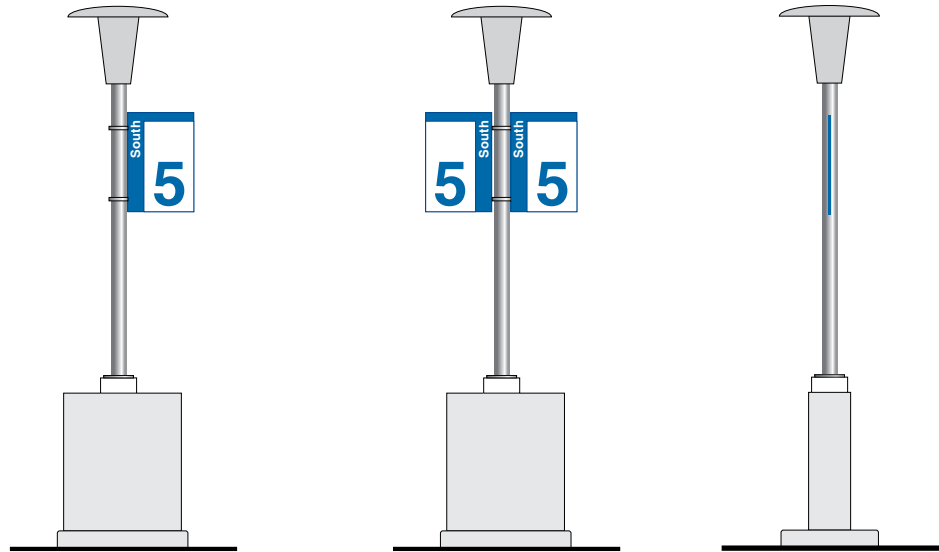
Text: various, refer to color chart
Background: various, refer to color chart.

Recommendations

Position sign so drivers have a clear, unobstructed view of the sign.



Sign Mounted in Front and Back of Pole



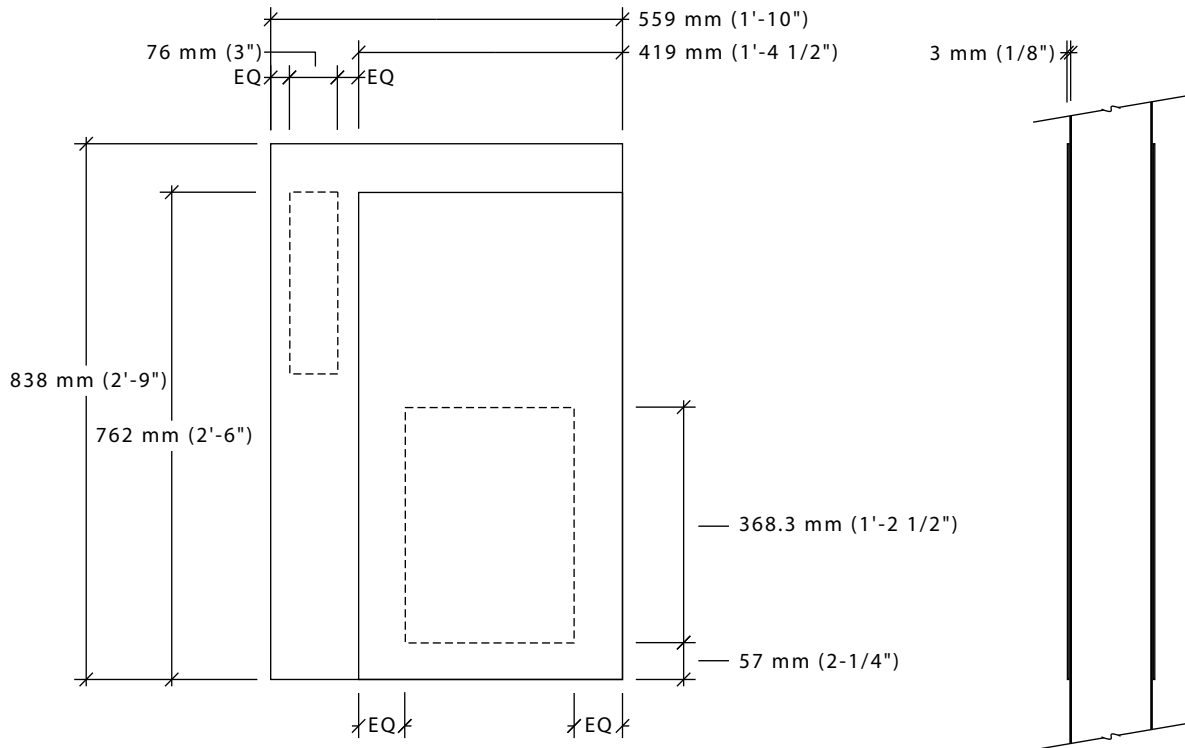
Single Flag Mounted Sign

Double Flag Mounted Sign



Message Layout A

Pole Mounted Marker



Message Layout A

Wall Mounted Identification

Size

Sign Face:
305 mm H x 1067 mm W
(1' 0" H x 3' 6" W)

Description and Use

Stairwell and elevator identification sign.

Message Configuration

(Refer to message layout drawing for dimensions)

Graphic Process

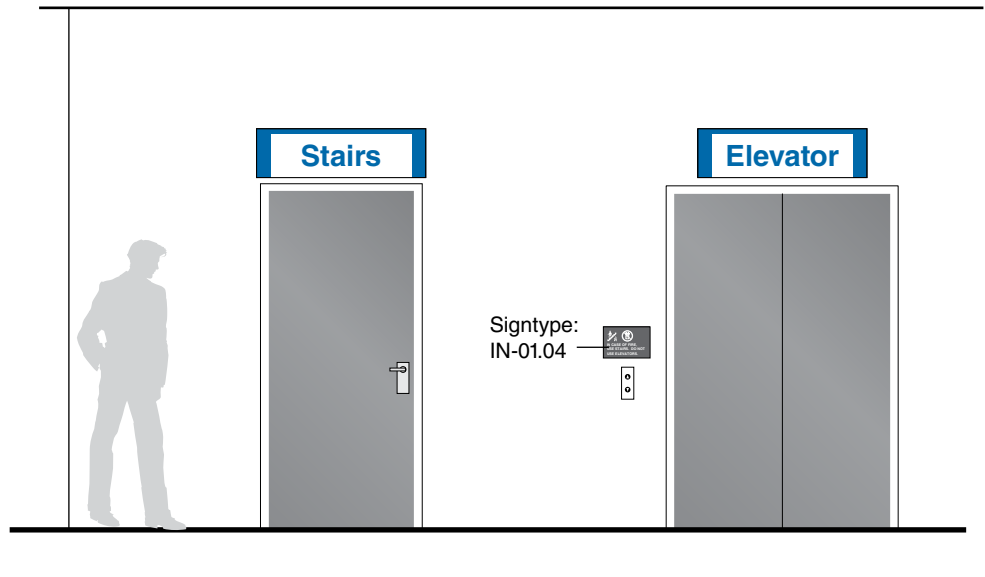
Surface applied vinyl.

Colors

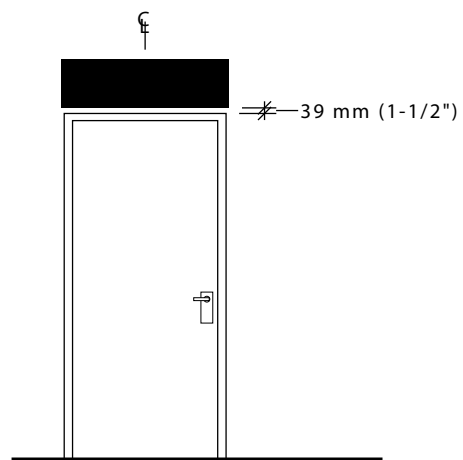
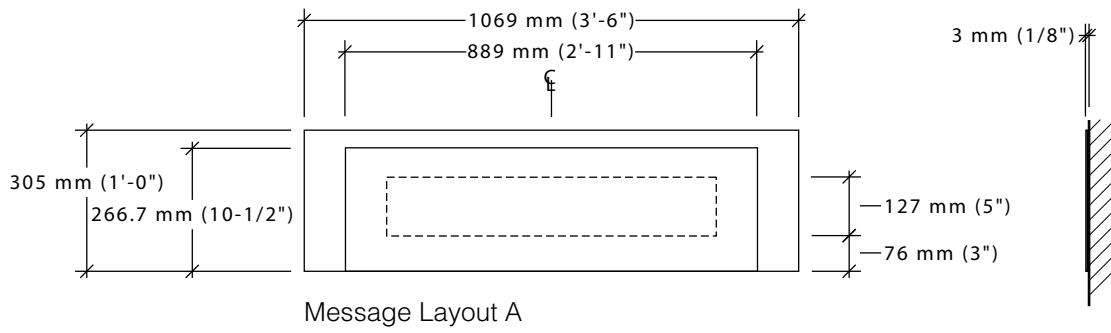
Text: various, refer to color chart
Background: various, refer to color chart.

Recommendations

Position sign so pedestrians have a clear, unobstructed view of the sign.

**Message Layout A**

Wall Mounted Identification



Floor Level Identification Vinyls

Size

Sign Face:
(Refer to message layout drawing for dimensions)

Description and Use

Floor level identification for placement on stairwell and elevator doors.

Message layout A is aligned flush right and message layout B is aligned flush left. Either layout can be used to designate a stairwell or an elevator. Text should be aligned along the opening side of the door. Use right aligned text on doors that open from right to left and use left aligned text on doors that open from left to right.

Message Configuration

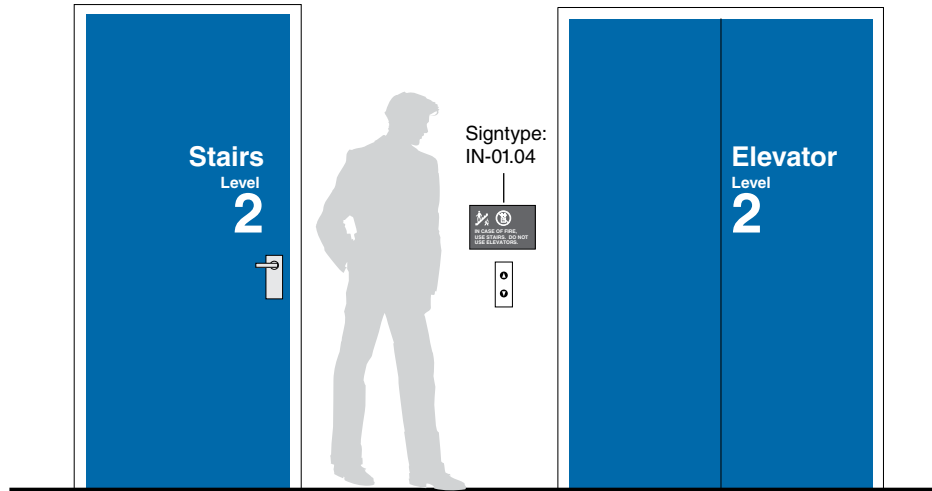
(Refer to message layout drawing for dimensions)

Graphic Process

Surface applied vinyl.

Colors

Text: various, refer to color chart
Background: various, refer to color chart.



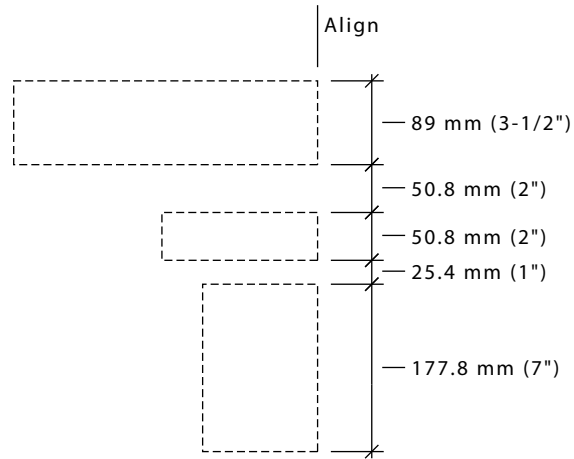
Message Layout A

Stairs
Level
2

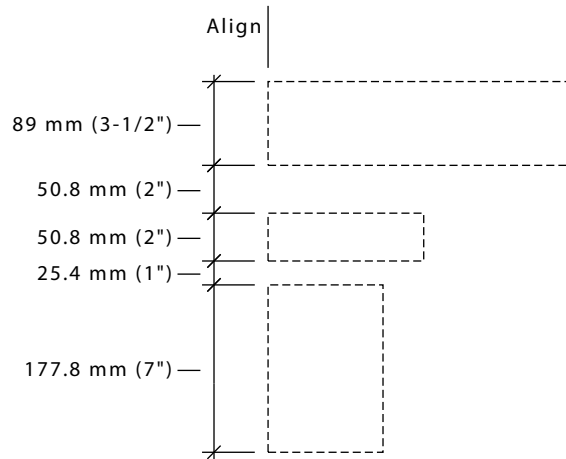
Message Layout B

Elevator
Level
2

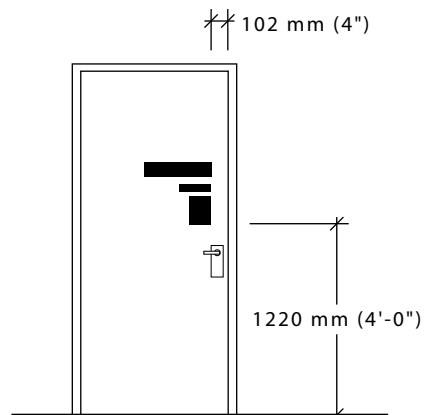
Floor Level Identification



Message Layout A



Message Layout B



Floor Level Identification Vinyls

Size

Sign Face:
25 mm H (1' 0" H)

Description and Use

Floor level identification for
placement inside stairwells.

Message Configuration

(Refer to message layout drawing
for dimensions)

Graphic Process

Surface applied vinyl.

Colors

Text: white, T2

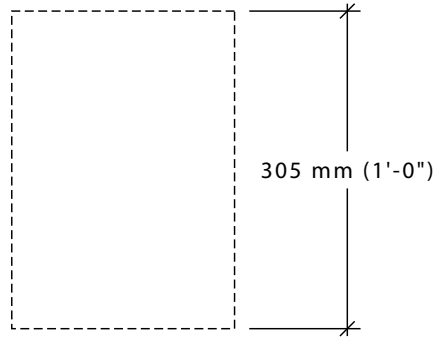


Message Layout A

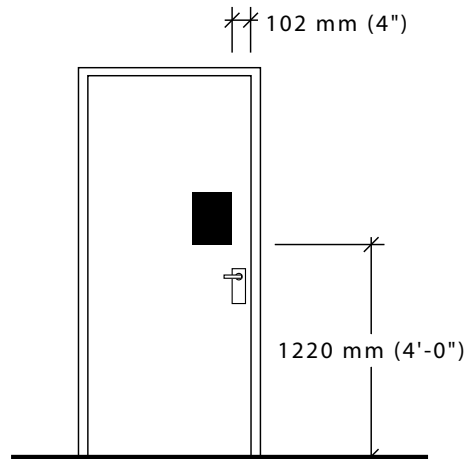
2

Message Layout B

LEVEL 2



Message Layout A



Dimensional Letters

Size

254 mm H (10" H)

Description

Individual letters to identify an entrance or exit.

Message Configuration

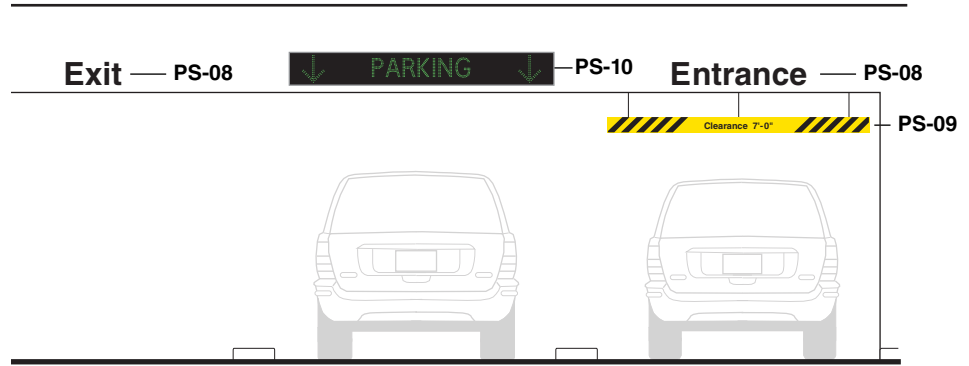
(Refer to message layout drawing for dimensions)

Graphic Process

Fabricated or cut out painted aluminum letters.

Colors

Text: Various

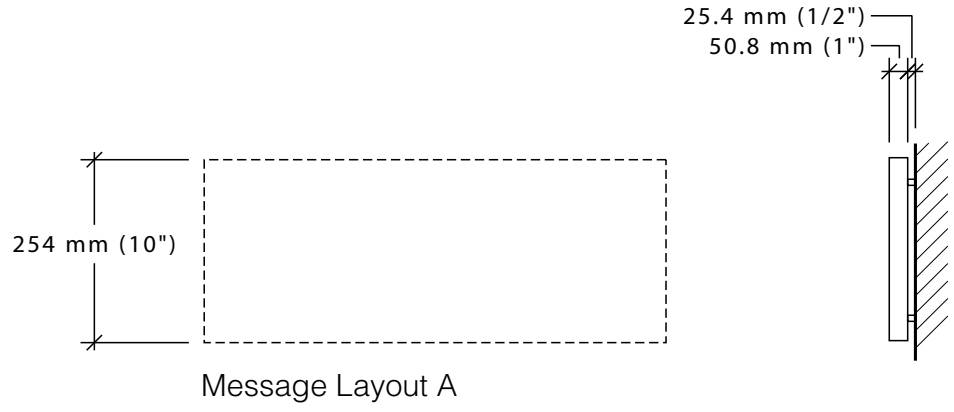


Message Layout A

Exit



Dimensional Letters



Clearance Height Bang Bar

Size

Sign Face:
152 mm H x various lengths
(6" H)

Description and Use

Ceiling hung vehicular clearance identification marker to be placed at all entrances and at grade level changes.

Clearance height "bang bars" are required within a parking structure when clearance levels change on ramps or between floors.

Message Configuration

(Refer to message layout drawing for dimensions)

Graphic Process

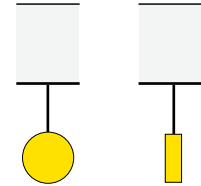
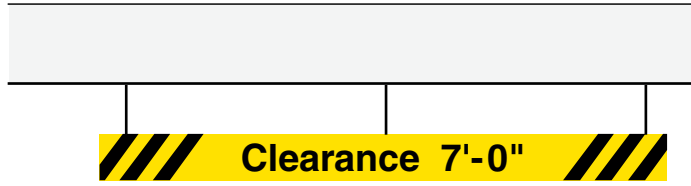
Surface applied vinyl.

Colors

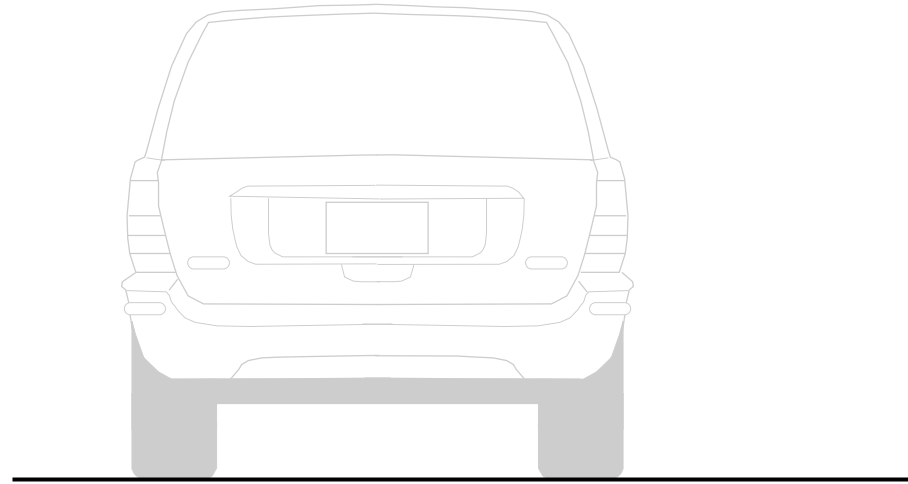
Text: black
Background: yellow, black

Recommendations

"Bang bars" made from PVC provide sufficient clearance notification and will not damage vehicles upon contact. Aluminum or steel pipe can damage vehicles.



PS-09.01 PS-09.02



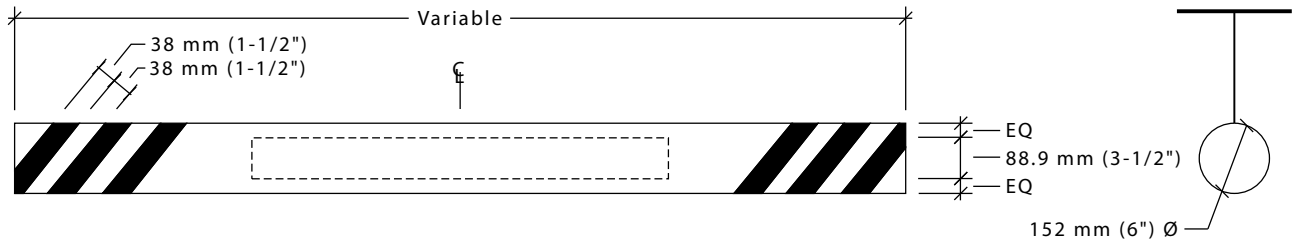
Message Layout A



(Lengths will vary)

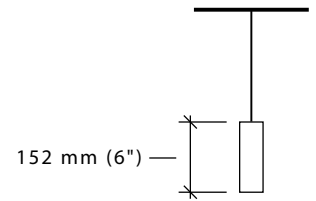
NOTE: Confirm actual clearance height in the parking structure. Mount bottom of sign to match clearance height stated on sign.

Clearance Height Bang Bar



Message Layout A

PS-09.01



PS-09.02

Electronic Lane Use Sign

Size

305 mm H x 2438 mm W
(1' 0" H x 8' 0" W)

Description

Sign to inform status of alternating entrance / exit lane.

Sign Components

Sign cabinet with electronic lane use information.

Graphic Process

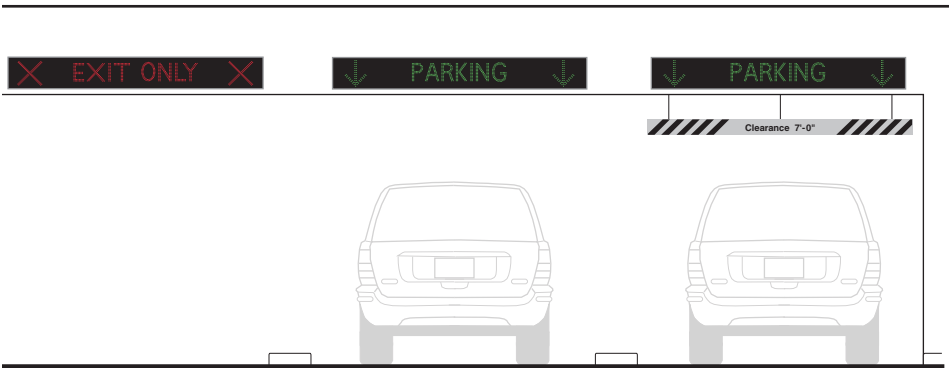
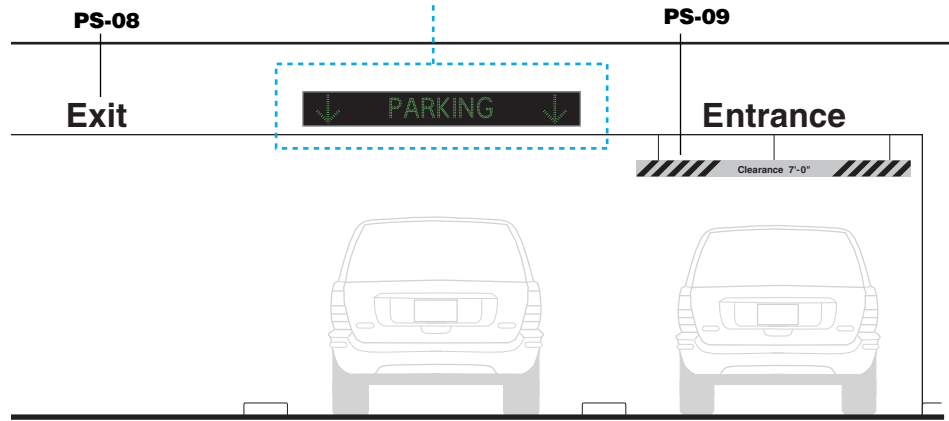
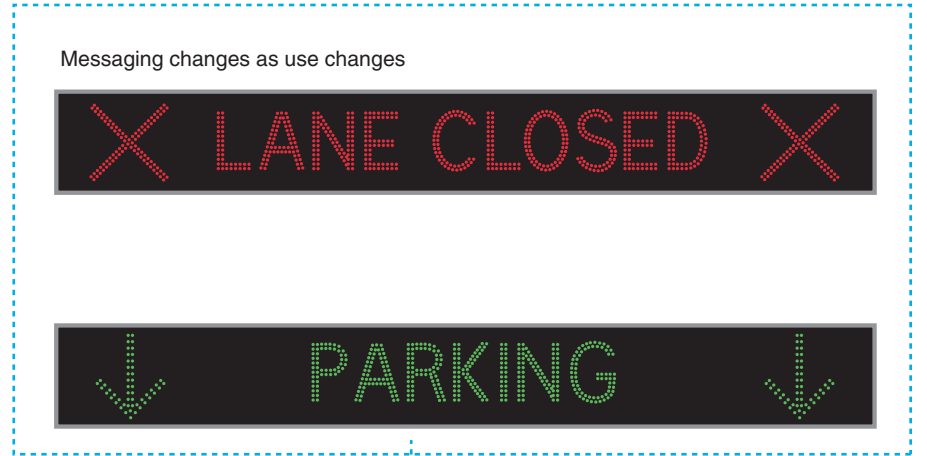
Electronic (LED)

Mounting

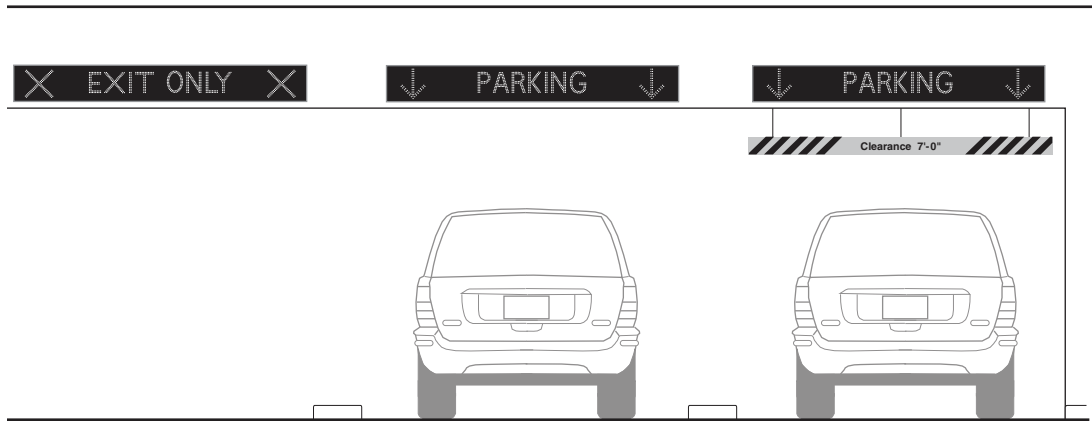
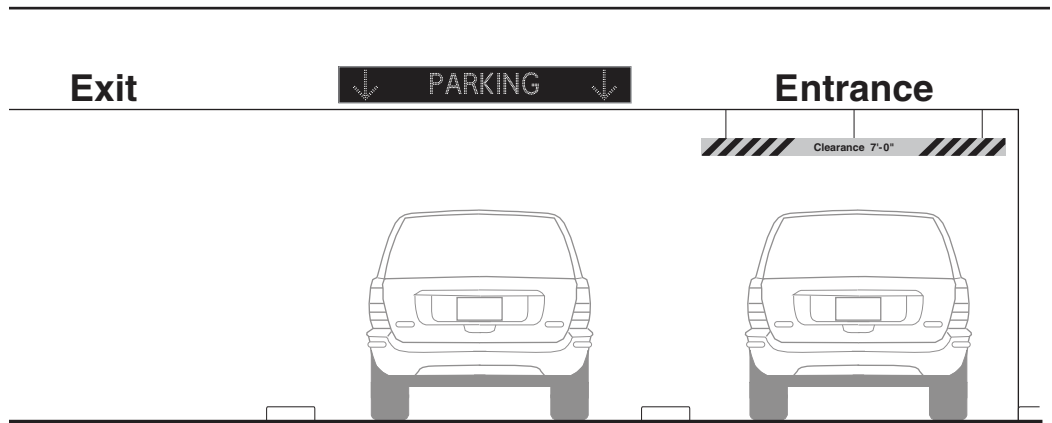
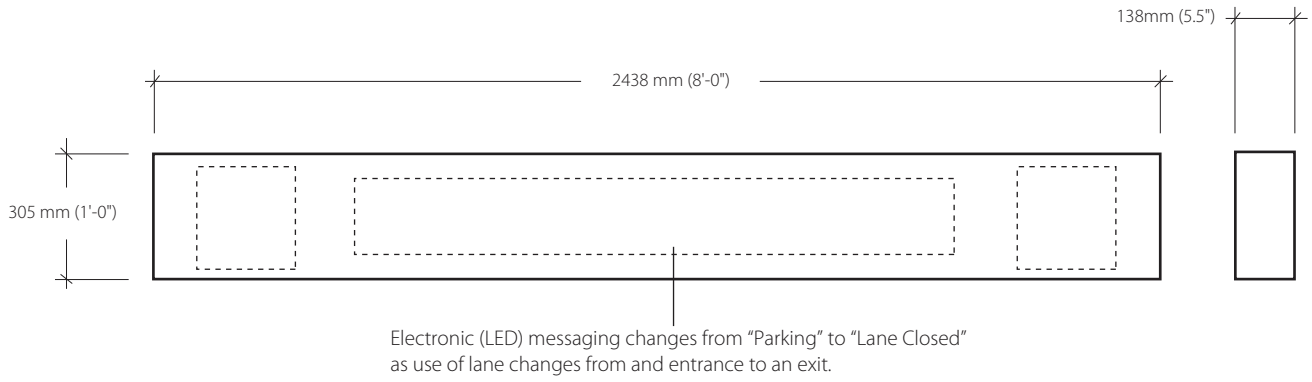
Wall or beam mounted

Installation

It is recommended that this sign be installed above entry to alternating entrance/exit lane.



Electronic Lane Use Sign



Entrance and Exit Identification

Size

Sign Face:
559 mm H x 3050 mm W
(1' 3" H x 10' 0" W)

Description

Non-illuminated, free swinging ceiling hung sign with, and without, bang bar. This sign type is directed specifically to drivers providing them entrance identification and information.

Message Configuration

(Refer to message layout drawing for dimensions)

Graphic Process

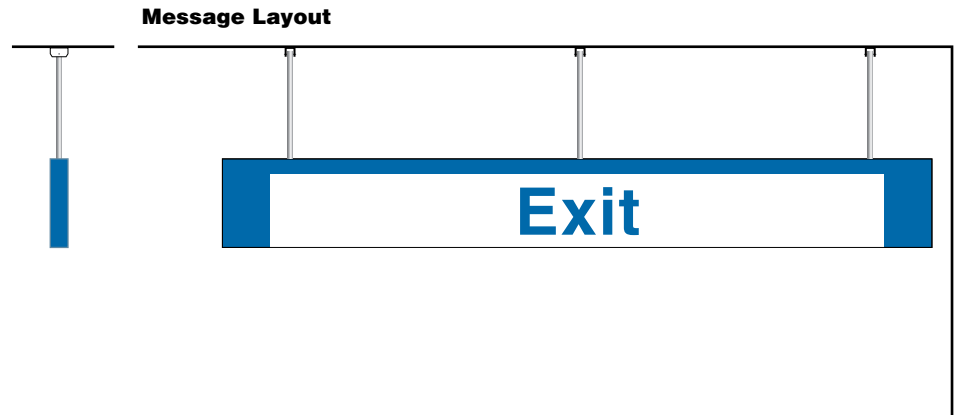
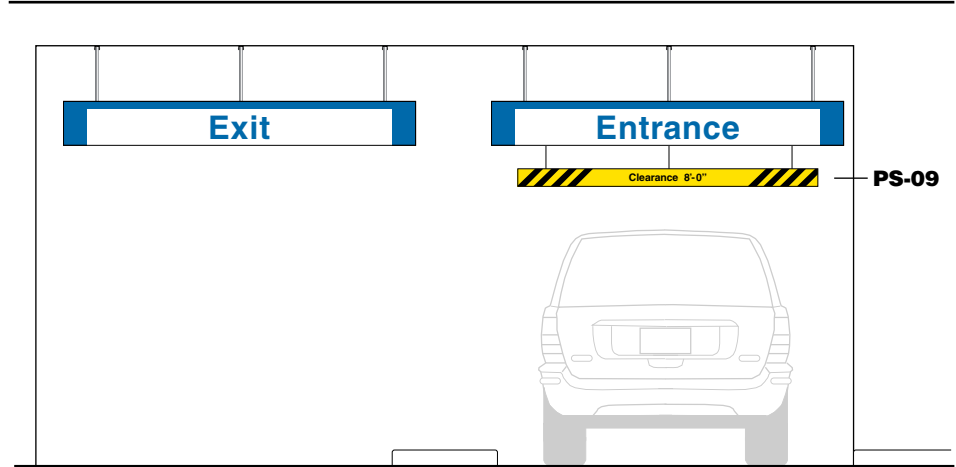
Surface applied vinyl.

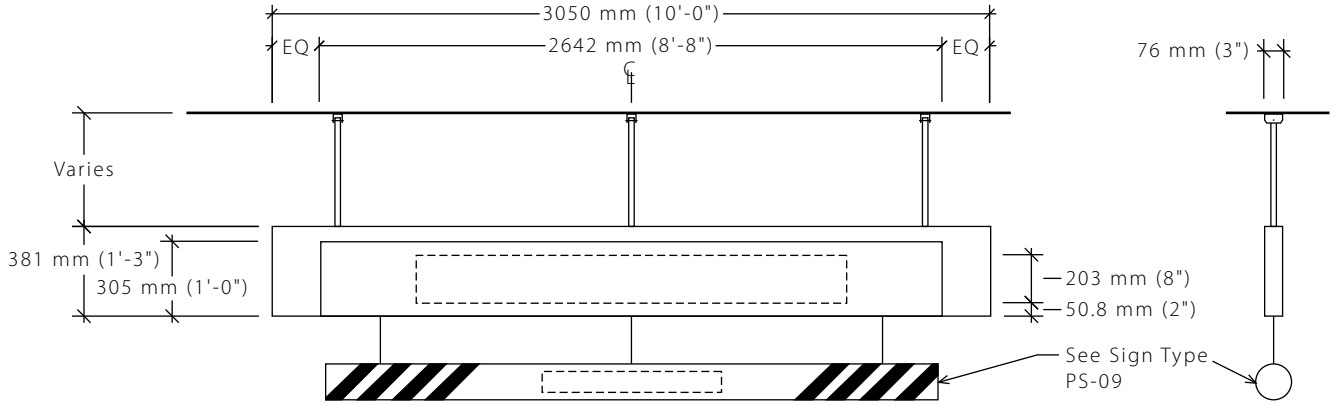
Colors

Sign Face:
Text: various, refer to color chart
Background: various, refer to color chart.

Recommendations

Sign is for parking structure entrances that are high or do not have a surface to mount letters or a sign panel





Parking Stall Designation

Size

Sign Face: 457 mm H x 305 mm W
(1' 6" H x 1' 0" W)

Overall Sign Height: 1829 mm
(6' 0")

Description

Non-illuminated post or wall mounted parking identification and informational sign. This type of sign is for use in identifying or controlling specific parking areas, spaces or stalls.

Message Configuration

(Refer to message layout drawing for dimensions)

This sign with symbol or title and the appropriate text shall be used as shown in the adjacent examples.

Colors

Text: white
Background: refer to color chart.
Post: refer to color chart.

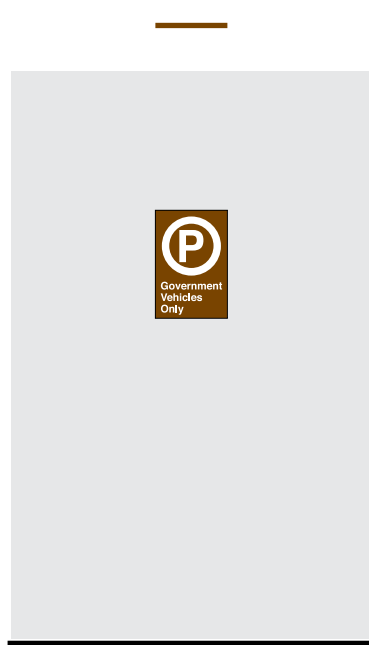
Graphic Process

Surface applied vinyl

Recommendations

Position sign on wall so drivers have a clear, unobstructed view of the sign.

When placing this type of sign near parking places, be sure the sign is set far enough back that over hanging front and rear of automobiles do not come in contact with the sign post.



Wall Mounted Option



Post Mounted Option

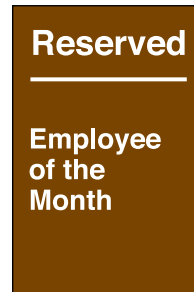
Message Layout A



Other possible messages for this layout

- 1) Visitors Only
- 2) Buses Only
- 3) Authorized Vehicles Only
- 4) Staff Only

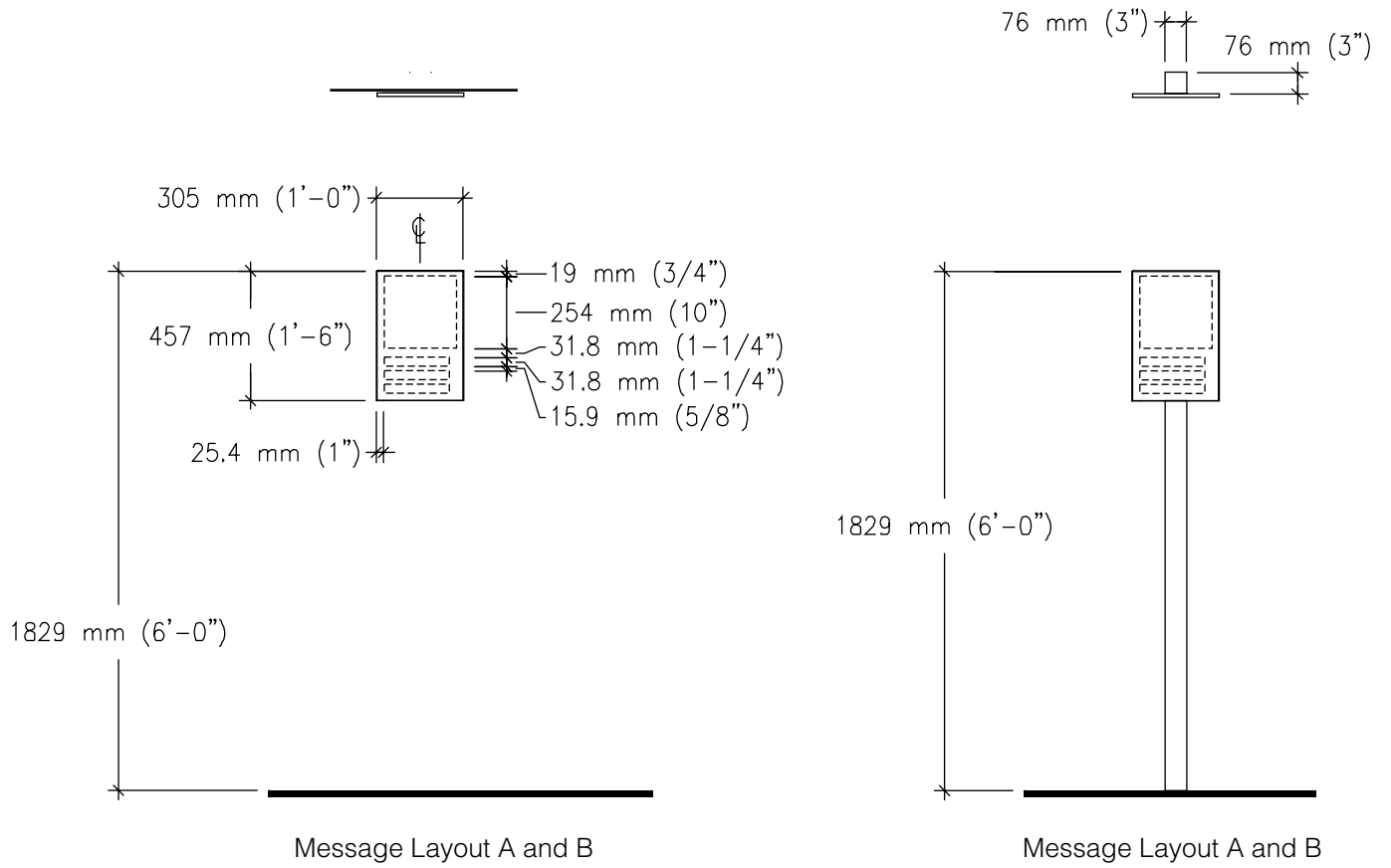
Message Layout B



Other possible messages for this layout

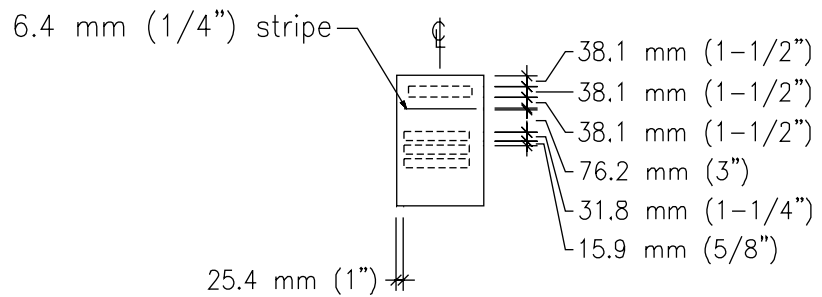
- 1) Director
- 2) Chief of Staff
- 3) Volunteers
- 4) Consultant
- 5) Motorcycle Parking
- 6) Officer of the Day
- 7) Outpatient Only
- 8) Government Vehicle
- 9) Police Only
- 10) Employee of the Month
- 11) Car Pool

Parking Stall Designation



Message Layout A and B

Message Layout A and B



Message Layout C

Handicapped Parking Stall

Size

Sign Face:
457 mm H x 305 mm W
(1' 6" H x 1' 0" W)

Overall Sign Height:
1830 mm (6' 0")

Description

Wall mounted or single post, non-illuminated handicapped parking stall sign.

Message Configuration

(Refer to message layout drawing for dimensions)

Symbol and text must conform to layout as shown.

Graphic Process

Surface applied reflective vinyl.

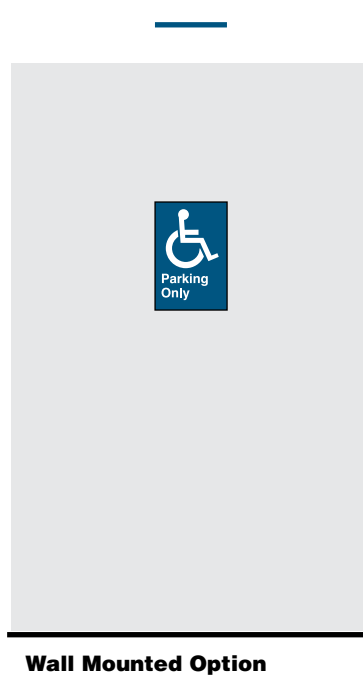
Colors

Text: white
Background: handicap blue
Post: refer to color chart

Recommendations

Position sign so drivers have a clear, unobstructed view of the sign.

When placing this type of sign near parking places, be sure the sign is set far enough back that over hanging front and rear of automobiles do not come in contact with the sign post.



Wall Mounted Option



Post Mounted Option

Message Layout A

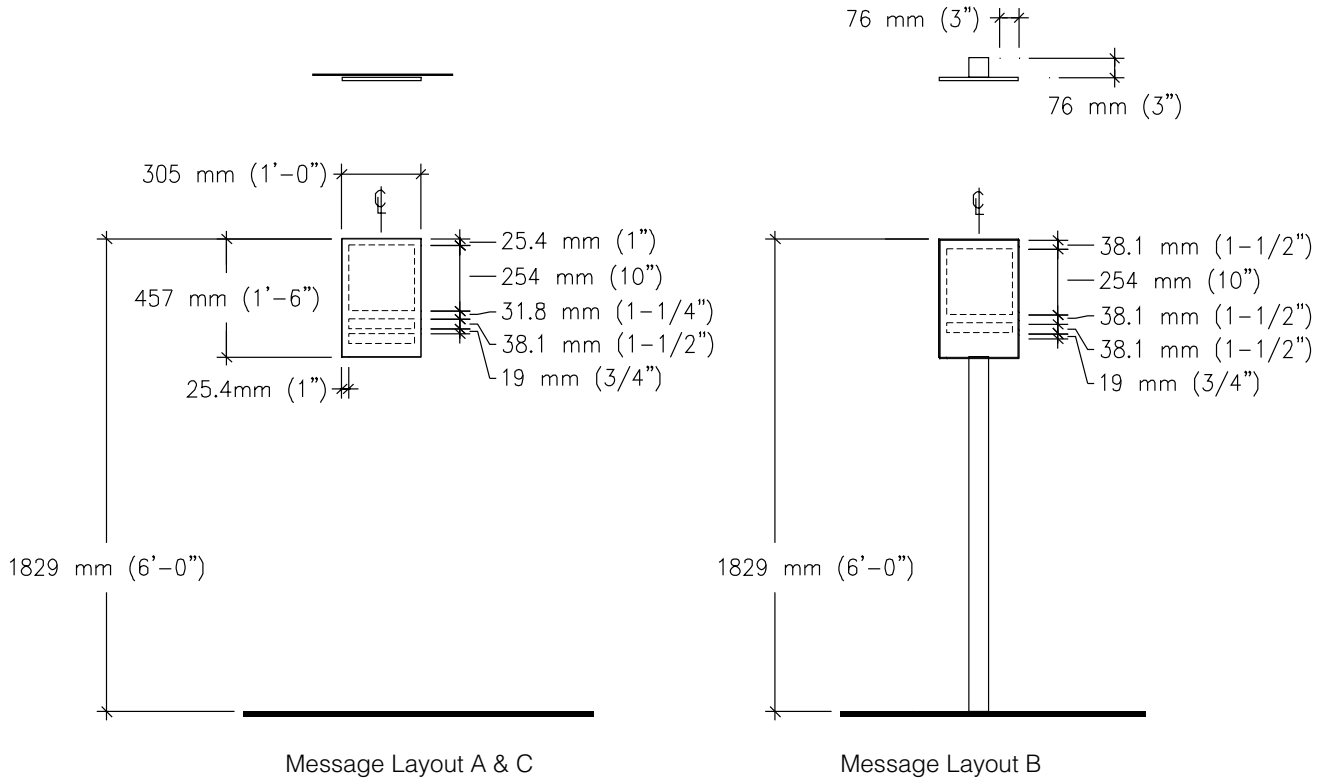


Message Layout B



Message Layout C





Handicapped Parking Area

Size

Sign Face:
610 mm H x 610 mm W
(2' 0" H x 2' 0" W)

Overall Sign Height:
1830 mm (6' 0")

Description

Wall mounted or single post, non-illuminated handicapped parking area sign. Identification of handicapped parking areas and directional information regarding access. These signs can also be used to provide direction information to drivers to direct them to handicapped parking that may not be obvious.

Message Configuration

(Refer to message layout drawing for dimensions)
Symbol is to remain constant.
Below symbol arrows, text or text and arrows can be used.

Graphic Process

Surface applied reflective vinyl.

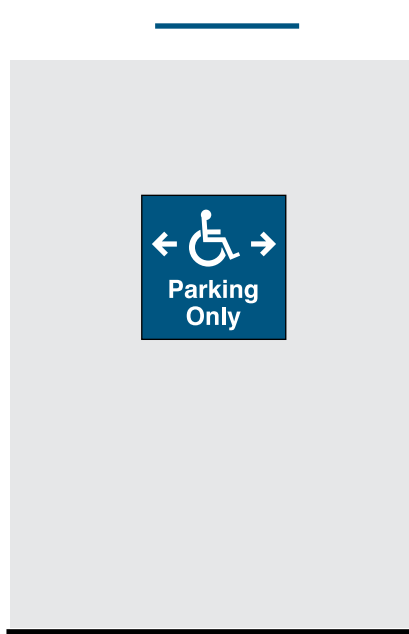
Colors

Text: white
Background: handicap blue
Post: refer to color chart

Recommendations

Position sign so drivers have a clear, unobstructed view of the sign.

When placing this type of sign near parking spaces, be sure the sign is set far enough back that over hanging front and rear of automobiles do not come in contact with the sign post.



Wall Mounted Option



Post Mounted Option

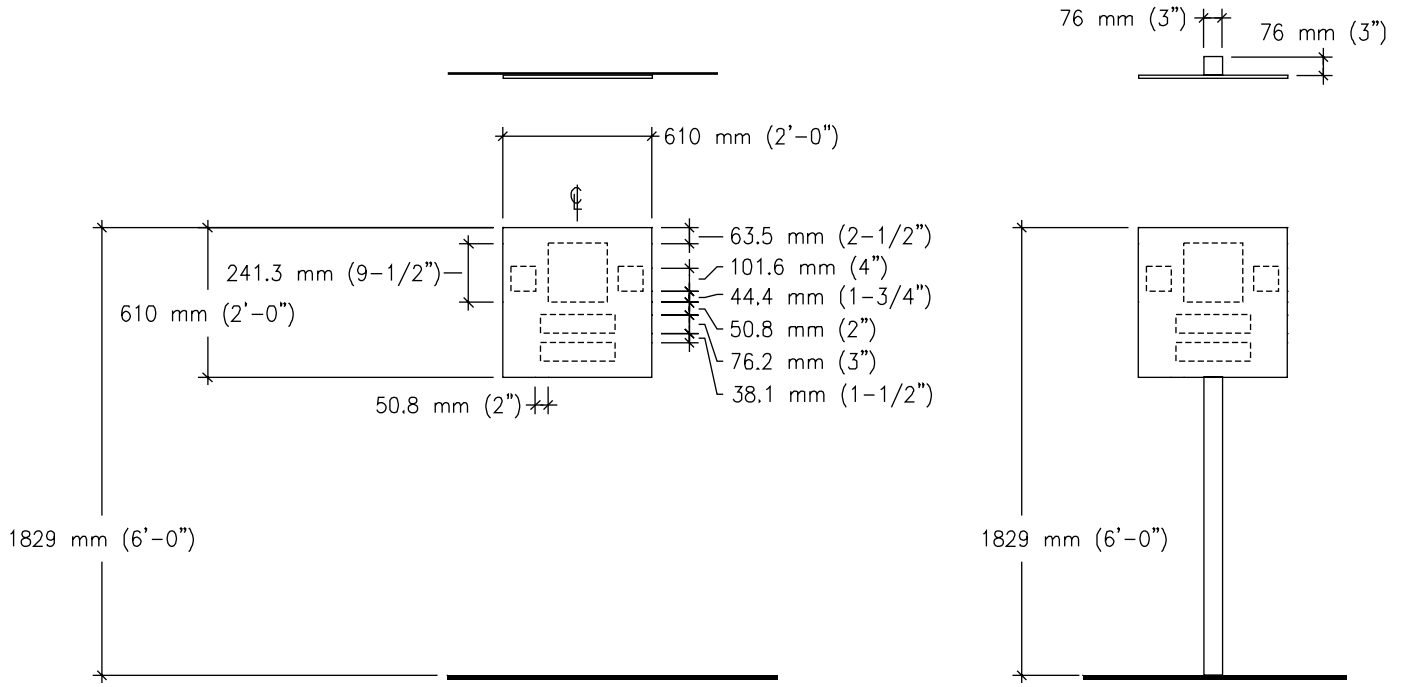
Message Layout A



Message Layout B

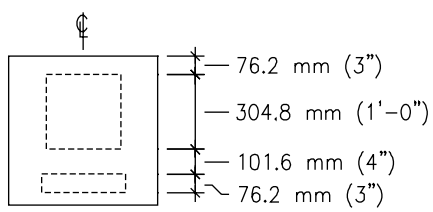


Handicapped Parking Area



Message Layout A

Message Layout A



Message Layout B

Informational Panel

Size

Sign Face:
914 mm H x 610 mm W
(3' 0" H x 2' 0" W)

Description

Non-illuminated wall panel sign.
Sign used to communicate various
informational or instructional
messages.

Message Configuration

(Refer to message layout drawing
for dimensions)

Graphic Process

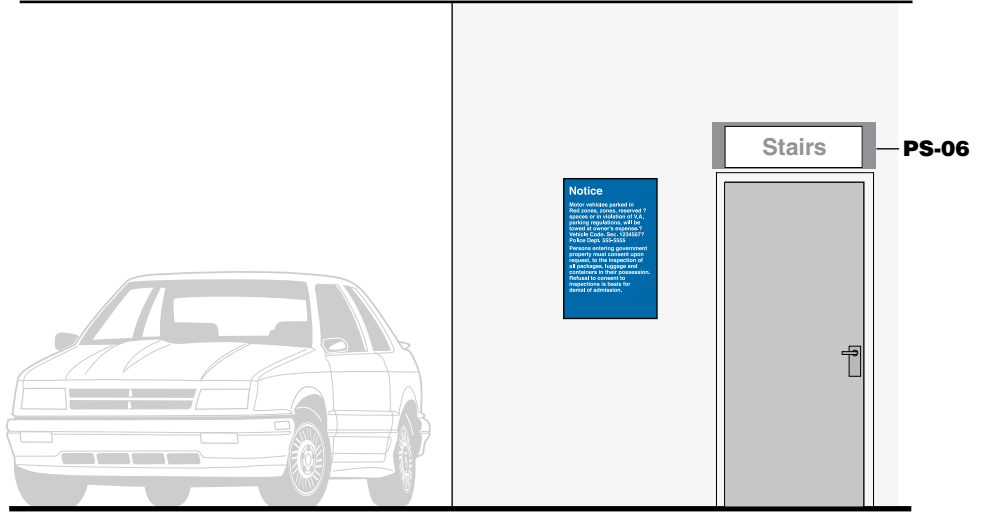
Surface applied vinyl.

Colors

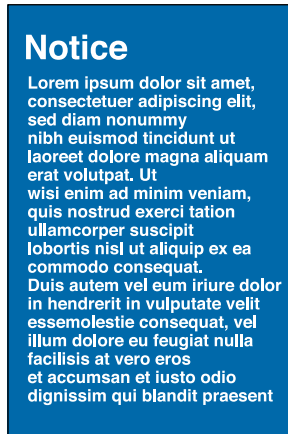
Text: white
Background: refer to color chart
Post: refer to color chart.

Recommendations

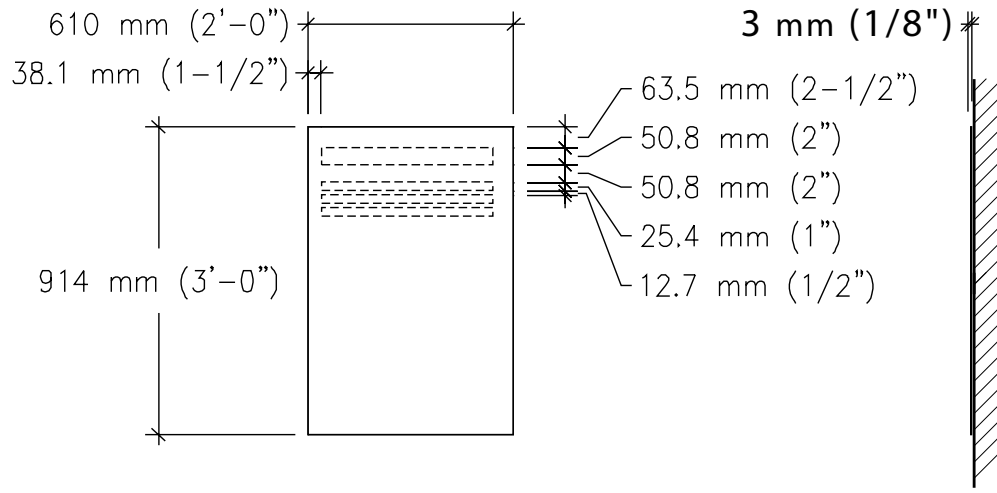
Position sign where message
needs to be conveyed.



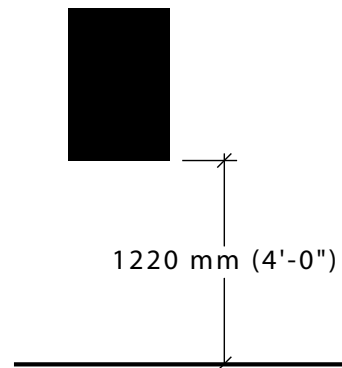
Message Layout A



Informational Panel



Message Layout A



Electronic Stall Availability Sign

Size

Size to vary depending upon number of levels and electronic system used.

Description

Sign to inform visitors as to the number of available parking spaces per floor. Electronic counting devices record the number of cars that enter and exit the garage and floor levels. This information changes as the corresponding number of parking spaces per floor is reflected.

Sign Components

Sign cabinet with electronic occupancy information.

Graphic Process

Painted, screened or vinyl type/graphics with electronic (LED) occupancy information.

Colors

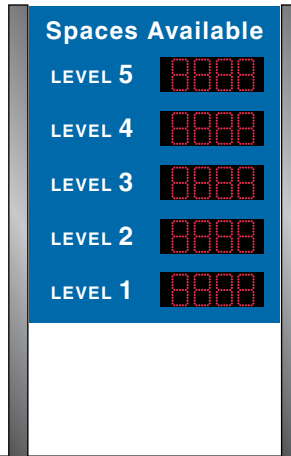
Color and materials to match rest of exterior parking structure signage.

Mounting

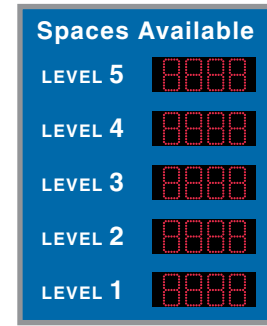
Either post mounted or wall mounted

Installation

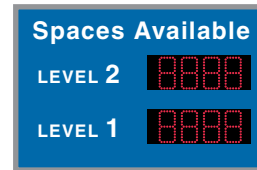
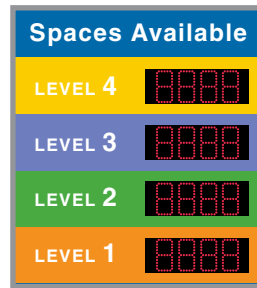
It is recommended that this sign be placed at entrance, or approaching, parking structure entry.



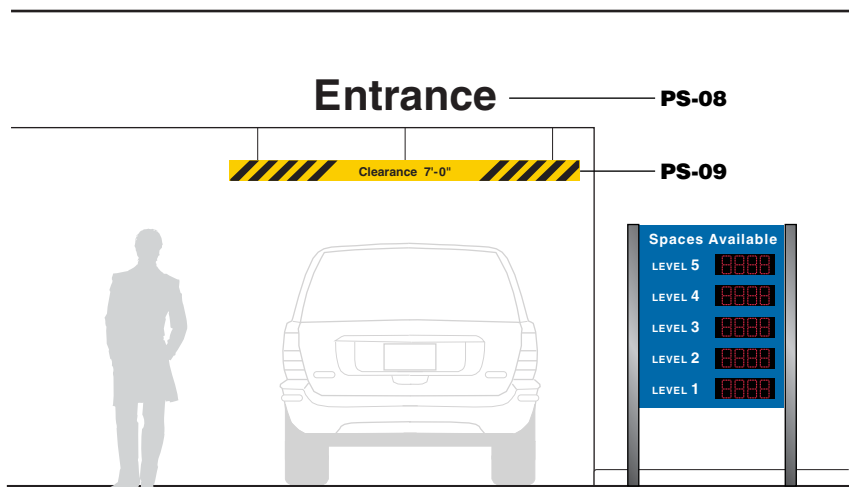
Post Mounted Option



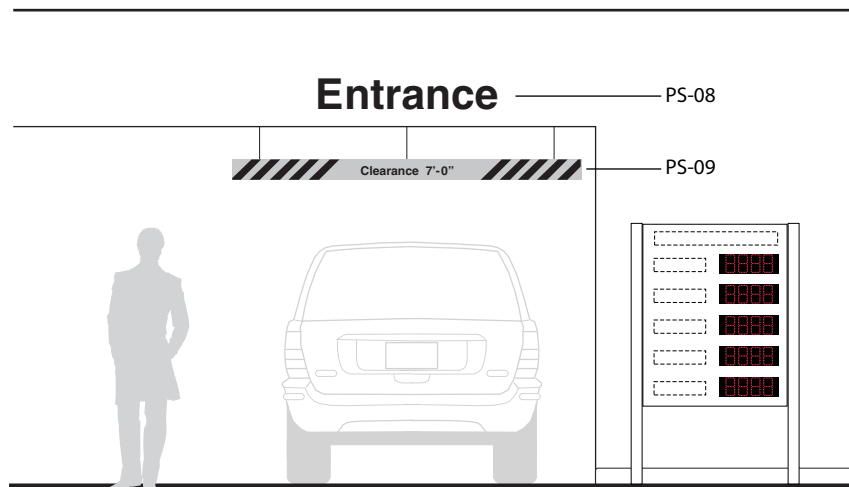
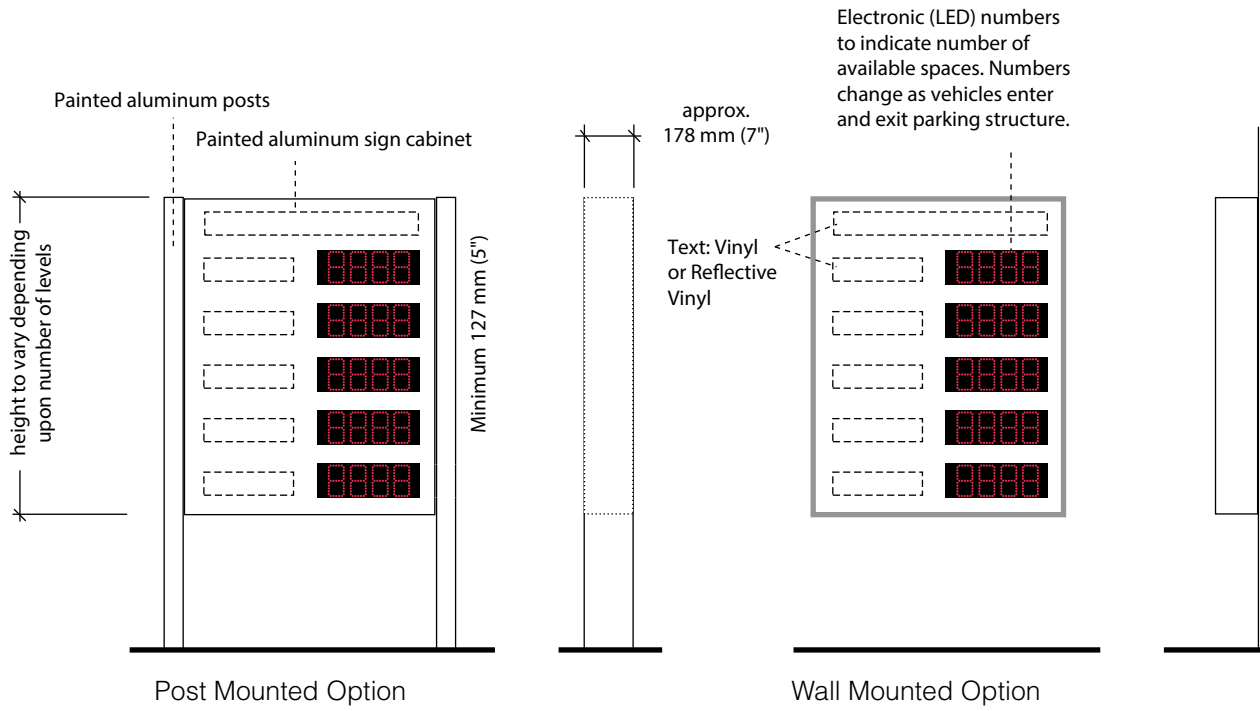
Wall Mounted Option



Examples of signs for parking structures of various levels
Sign on the left illustrates the integration of a color coded system.



Electronic Stall Availability Sign



Exterior Building Mounted Parking Directional/Availability Sign

Size

to vary
 approx.
 1270 mm H x 1016 mm W
 (4' 2"H x 3' 4" W)

Description

Illuminated double sided parking lot identification and parking stall availability sign.

Sign Components

Framed sign cabinet with an illuminated arrow and "parking" identification message and an electronic occupancy information portion.

Graphic Process

Internally illuminated directional arrow and "Parking" identification. Electronic (LED) occupancy information.

Colors

"P" and arrow: white, background color: blue to match T8.

Mounting

Mounted perpendicular to exterior wall of parking structure.

Installation

It is recommended that this sign be placed above, or above and adjacent to, the entrance to the parking structure.

Message
 Layout A

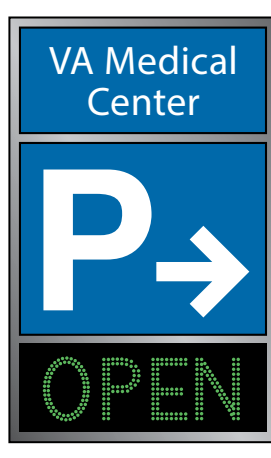


Side A



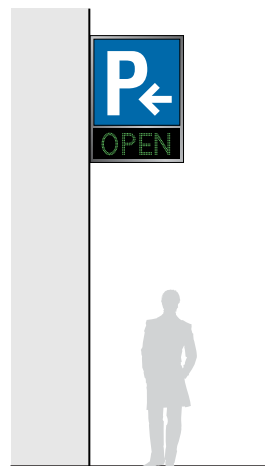
Side B

Message
 Layout B

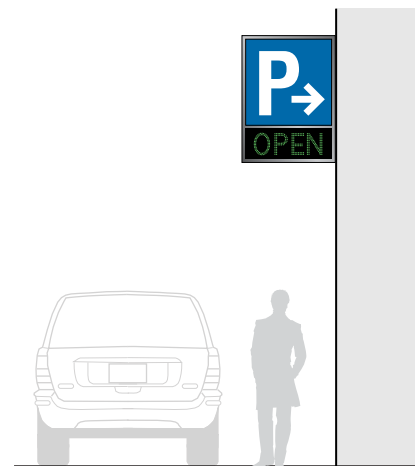


Layout Suggestions

Message
 Layout C

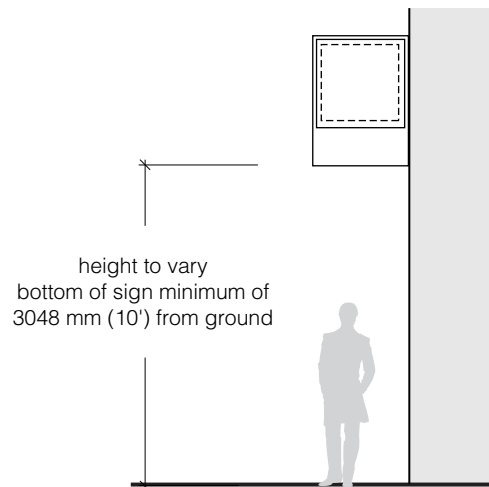
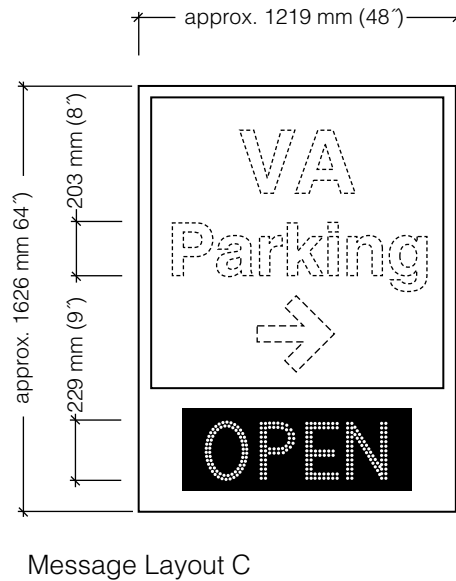
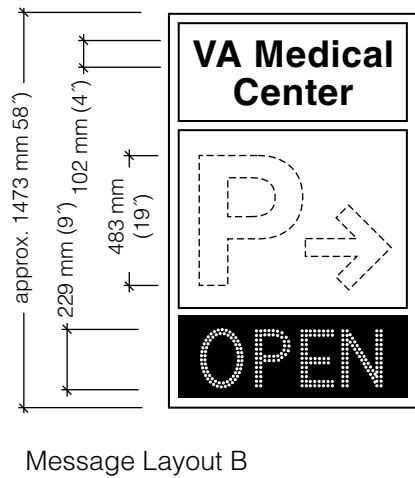
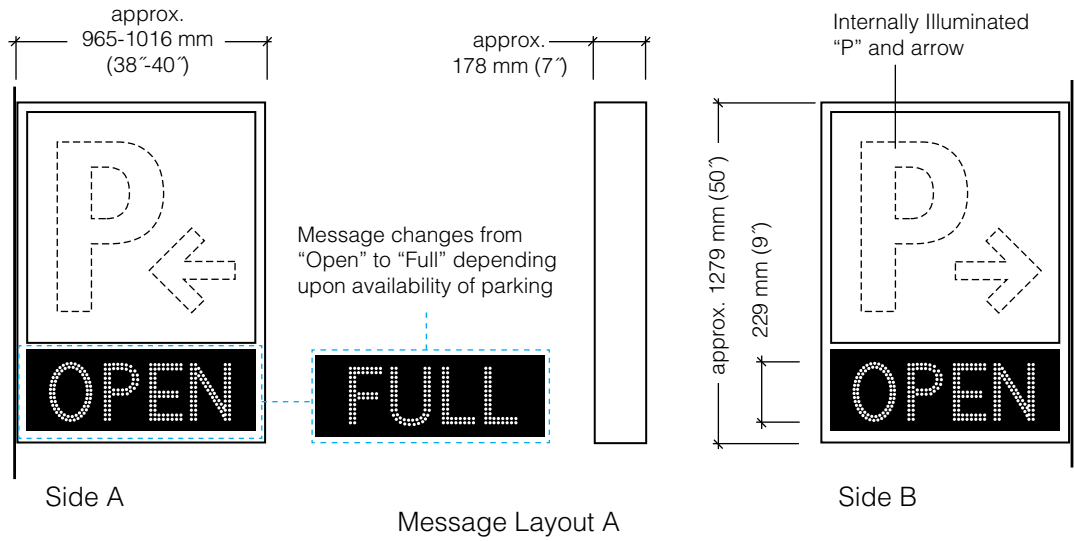


Side A



Side B

Exterior Building Mounted Parking Directional/Availability Sign



Stall Identification Number

Description

Painted parking stall numbers.

Recommendations

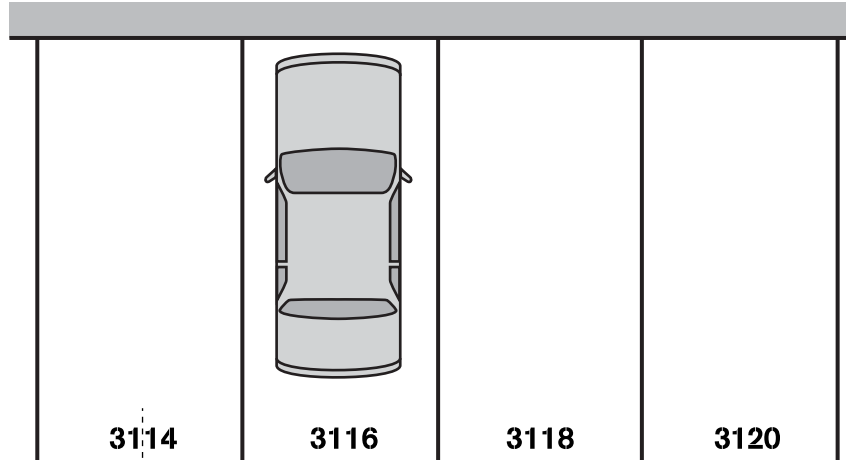
Stalls can be assigned a designated number based on a logical/sequential stall numbering system. It is recommended that each number be painted at the aisle facing end of each stall. The ideal number height is 6 inches (numbers should be no less than 4 inches in height).

Graphic Process

Painted stenciled numbers.

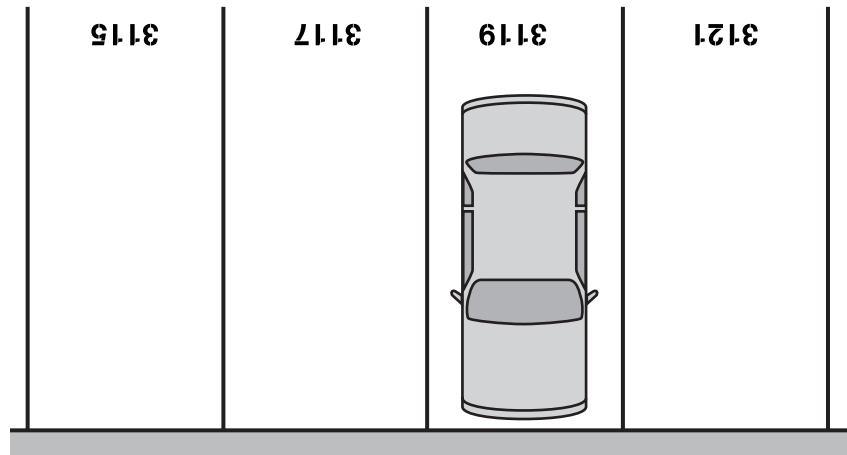
Colors

Colors need to contrast the parking structure flooring. If the floor is a light colored concrete, the numbers should be black. If the floor is a dark color, the numbers should be white.



 **Center Painted Number & Stall**

DRIVE AISLE



Regulatory Signs

Size

Sign Face:
Refer to Exterior Sign Types.

Description

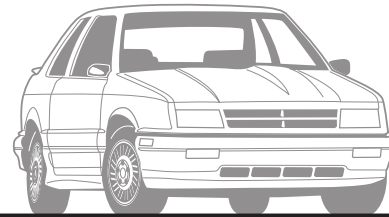
Parking and traffic regulatory signs.

Recommendations

Display the most commonly used signs as indicated. If other Traffic Regulatory and Warning Signs are needed, refer to MUTCD (Manual on Uniform Traffic Control Devices).

Position sign so drivers have a clear, unobstructed view of the sign.

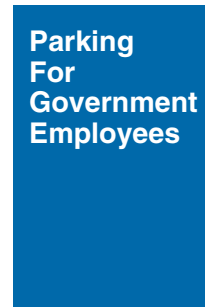
It should be noted that the decision to use a particular traffic control device at a specific location should be made on the basis of a standard traffic engineering study of the location. Sign size should be based on traffic conditions. Where these conditions are the same, all signs of a similar type should be the same size.



See Sheet EN-06.08 for Details



See Sheet EN-06.08 for Details



See Sheet EN10.1 for Other Traffic
Regulatory Signs and Details



Parking Structure Signs

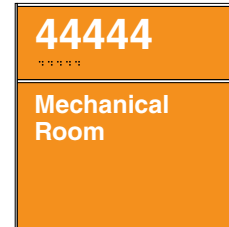
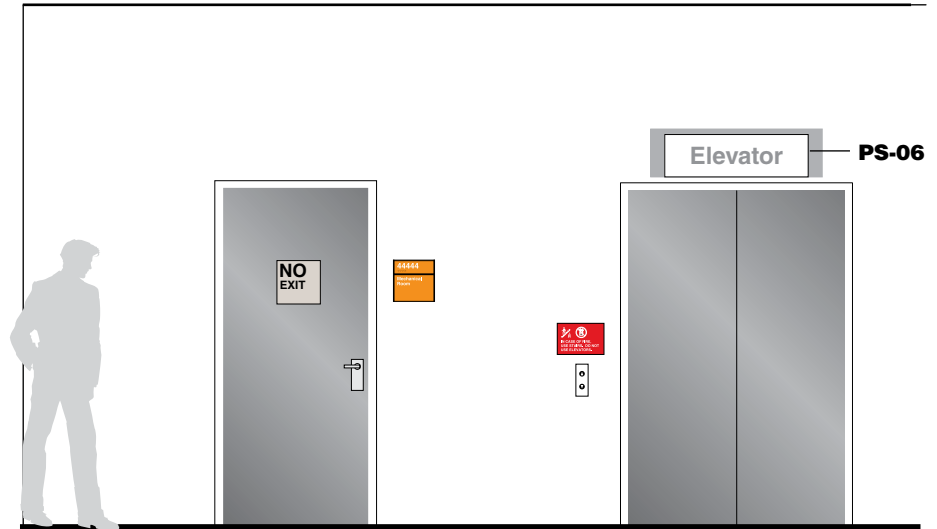
Identification Signs

Size

Sign Face:
Refer to Interior Sign Types.

Description

Information and room identification.



Parking Structure Signs

Painted/Vinyl Floor, Wayfinding and Area Information Options

Description

Painted and/or vinyl options for garage core identification.

Graphic Process

Painted or applied vinyl graphics.

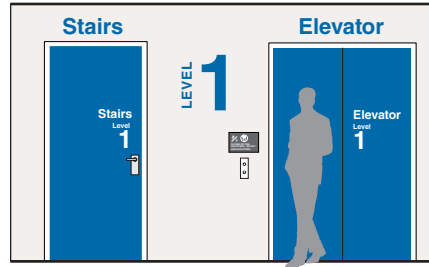
Recommendations

It is recommended that all painted graphics use contrasting color combinations as well as a color coding system to easily differentiate one floor from the next. Color coding system should be consistent amongst all signs and graphics on a given floor. For example, if a particular blue is used to designate floor 1, that same blue should be used throughout floor 1, on all signs using a color coded system.

Painted graphics may consist of a light color on a dark painted background or a dark color on a light painted background. Background color may extend the entire length of a garage core wall or may be limited to a designated section surrounding the stair and elevator doors. Graphics should be large enough to read from a distance.

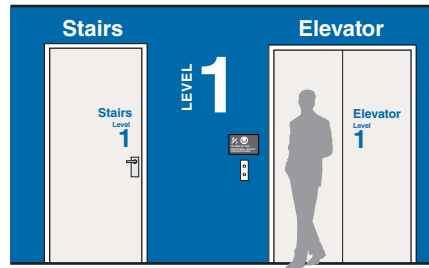
Vinyl Wraps may be applied to stair and/or elevator doors. Vinyl graphics include floor specific imagery and color. Imagery may be in the form of an illustrated graphic, graphic pattern, or a photographic image. The vinyl may be applied to the entire surface of a door or a selected portion.

In developing an approach to applying a graphic language, to distinguish one floor from the next, one should be consistent with the type of graphic treatment throughout the parking structure. For example, if on floor one a photographic image covers the entire stair and elevator doors, a photographic image should be applied in the same position on all subsequent floors. Imagery may change, however the approach and placement should remain consistent.



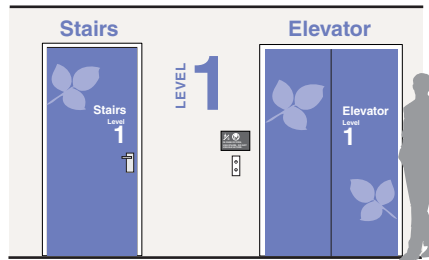
Garage core graphics:

Light background color with graphics painted a darker color.



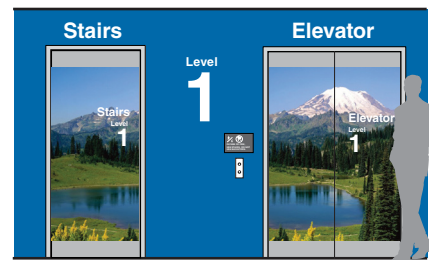
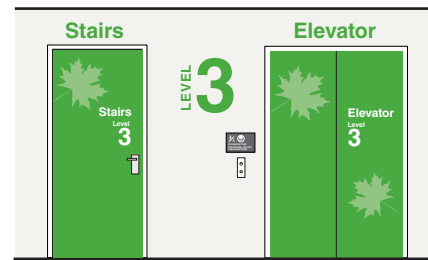
Garage core graphics:

Dark painted background color with graphics painted a lighter color.



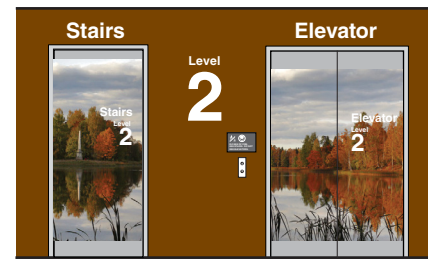
Vinyl graphic applied to stair and elevator doors.

Examples show applied graphic as a silhouetted image.



Vinyl graphic applied to stair and elevator doors.

Examples show applied graphic as a photographic image.



Parking Structure Signs

Painted Wayfinding and Area Information Options

Description

Options for painted columns / column markers and overhead directional messaging.

Graphic Process

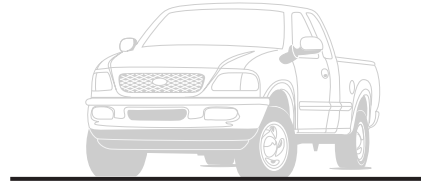
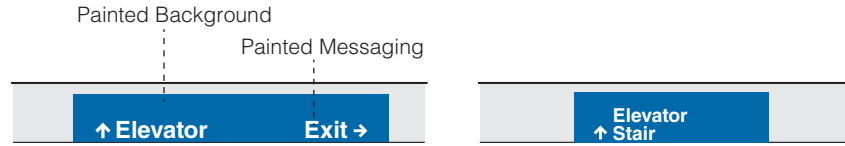
Painted graphics/messaging.

Recommendations

It is recommended that all painted graphics use contrasting color combinations as well as a color coding system to easily differentiate one floor from the next.

Messaging for painted overhead directional signage should be placed on the bottom portion of the beam (messaging on the top portion of the beam is less visible). Messaging should have a capital height of no less than 4 inches.

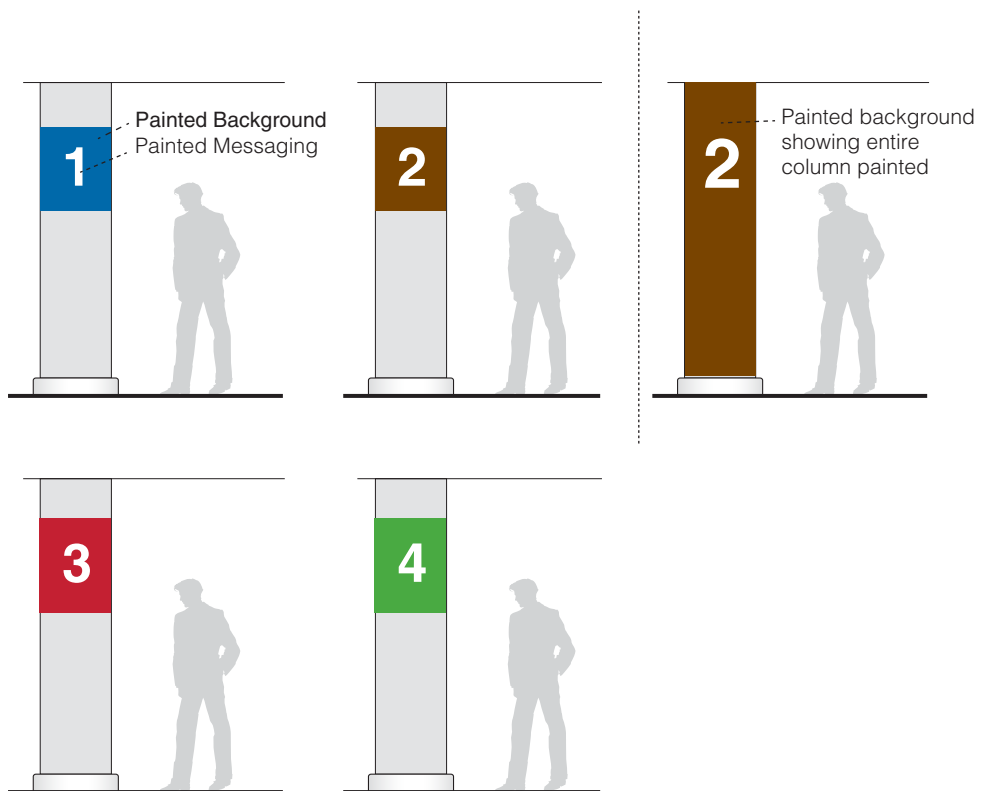
Column graphics may consist of a light color on a dark painted background or a dark color on a light painted background. Background color may extend the entire length of the column or may be limited to a designated section behind the painted number. Painted numbers need to be large enough to read from a distance.



Messaging with Single Line of Text



Messaging with 2 Lines of Text



This page is intentionally left blank.

The specifications for signs are available in the Master Construction Specifications (PG-18-1) area of the VA Technical Information Library, which is available on the VA web site under Office of Construction & Facilities Management.

www.cfm.va.gov/til/

Refer to Signage in the specifications, Division 10, Section 10 14 00.

For more information regarding specifications, contact the Office of Construction & Facilities Management, Facility Standards Service.

The specifications require close coordination, taking into account the existing sign program at a medical center, any sign demolition, sign maintenance and future signing needs.

When preparing the specifications for a project, it will require editing to add and indicate new signs or eliminate signs that are not needed. Also, it will be necessary to adapt the specifications to project requirements required for the specific project in which they are intended.

The sign message schedule is considered a part of the specifications and would comprise a portion of the spec section. The configuration and format of the message schedule may vary according to individual project requirements. The sign message schedule format is shown in the Need a Sign Program section of the VA Signage Design Guide. It provides the method for identifying each sign location, type and message along with other notations. The sign schedule contains important information that the sign manufacturer and the sign installer will require for manufacturing and sign installation.

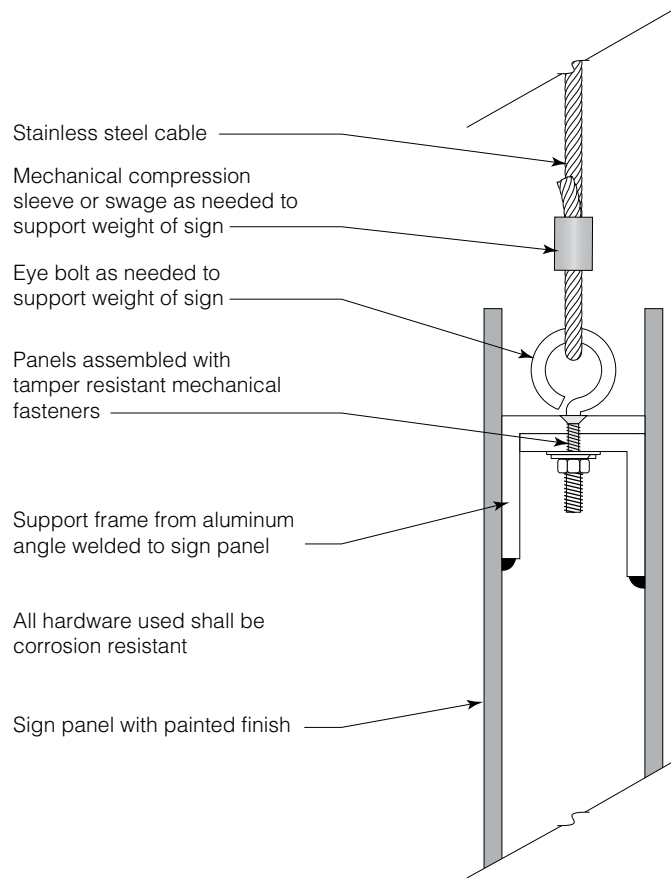
The sign message schedule must be coordinated with a sign location plan drawing showing where signs are to be placed within a building or on the site. Refer to the sign location plan example shown in the **Need a Sign Program** section of the VA Signage Design Guide.

For convenience, the sign type drawings can also be included in the specifications as it own section.

This page is intentionally left blank.

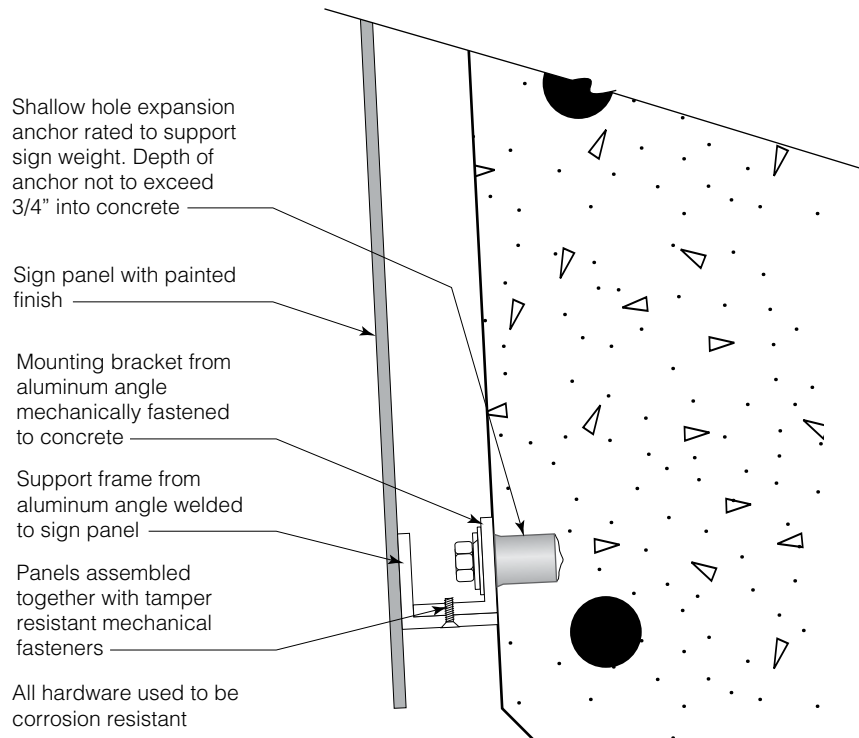
PS Construction Detail 1

Sign Types: PS-01.01, PS-01.02, PS-01.03, PS-01.04



PS Construction Detail 2

Sign Types: PS-02.01, PS-02.02, PS-02.03, PS-02.04

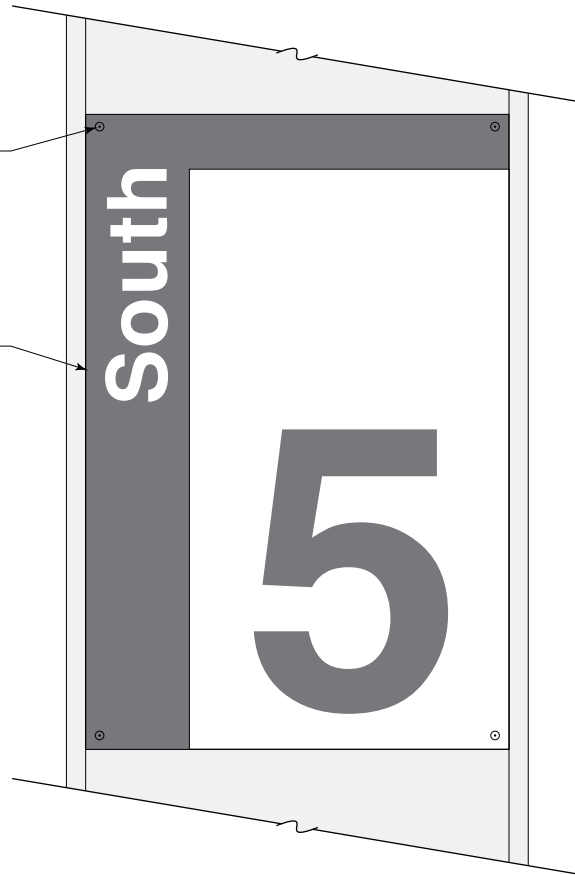


PS Construction Detail 3

Sign Types: PS-05.01, PS-05.02
PS-03 and PS-04 similar

Drive rivet nail-in anchor with heads painted to match adjacent color. Depth of anchor not to exceed 3/4" into concrete

Painted aluminum sign panel

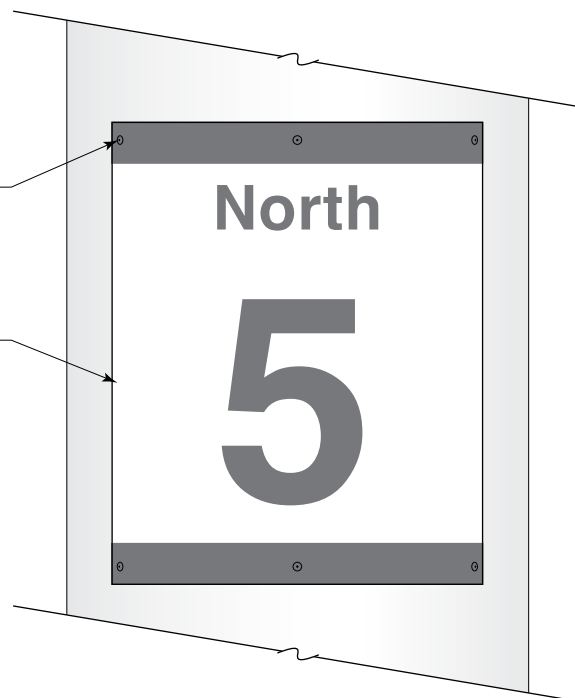


PS Construction Detail 4

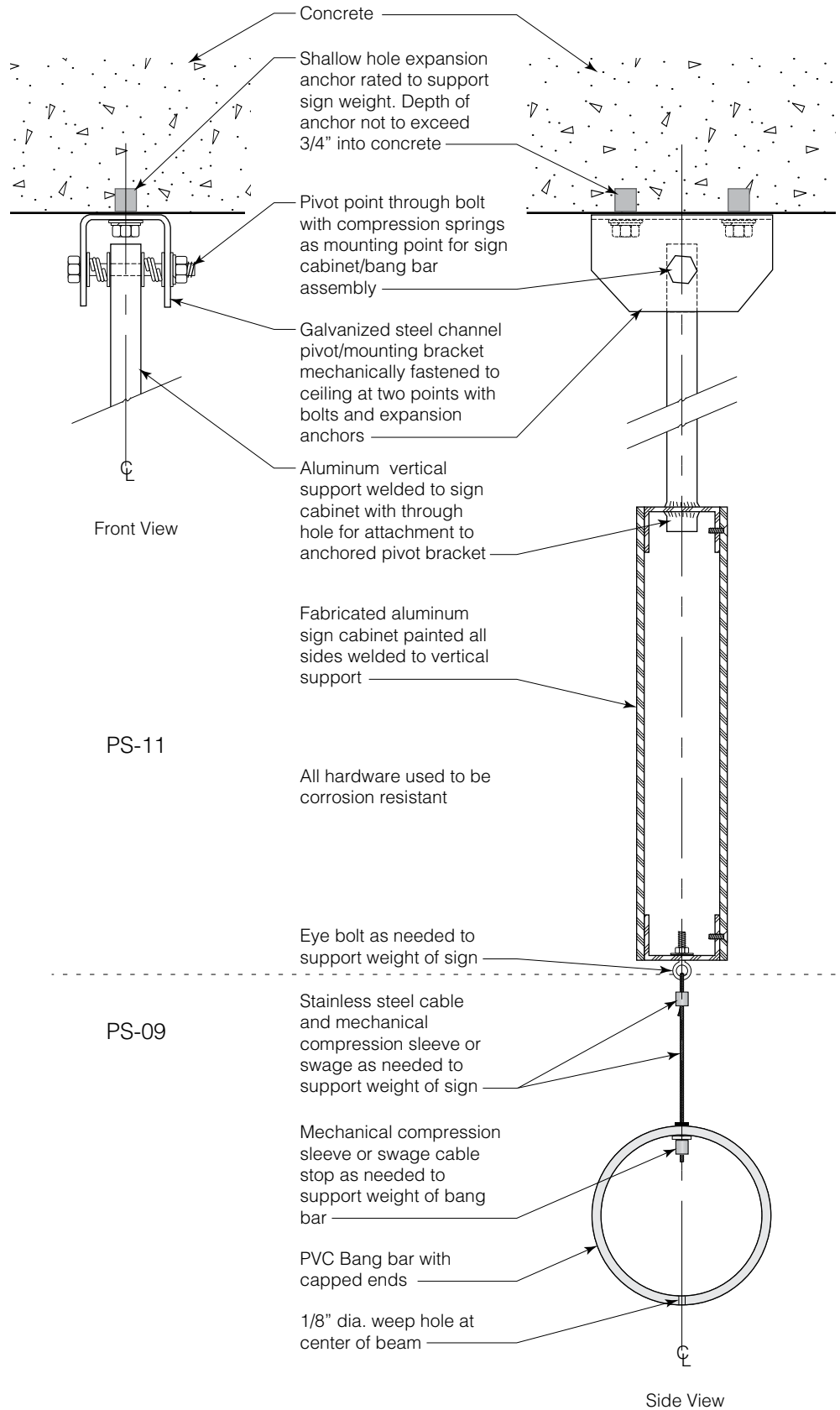
Sign Types: PS-05.03

Drive rivet nail-in anchor with heads painted to match adjacent color. Depth of anchor not to exceed 3/4" into concrete

Painted aluminum sign panel at thickness panel as needed to follow curve of column



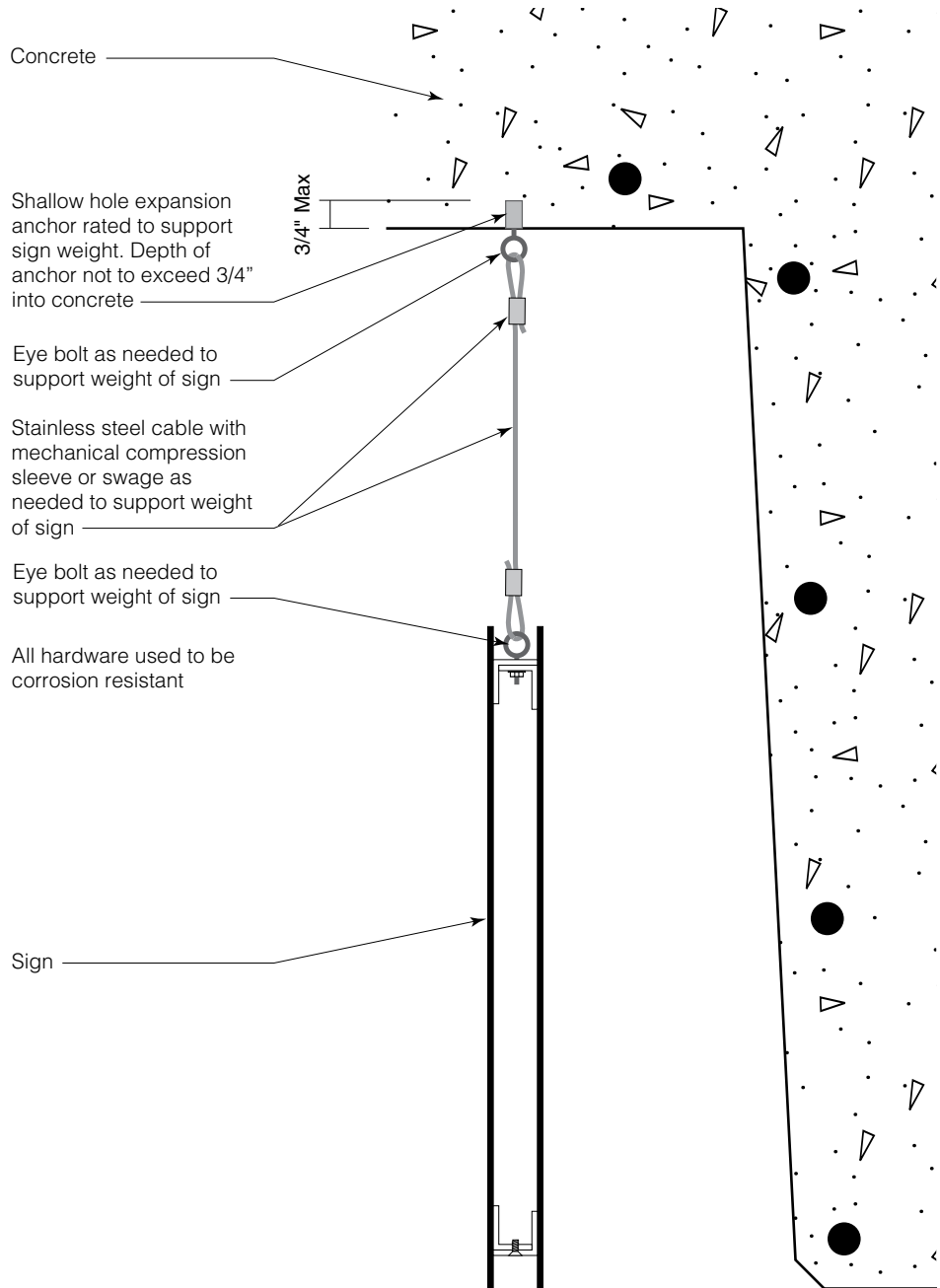
PS Construction Detail 5
Sign Types: PS-09 and PS-11



This page is intentionally left blank.

PS Installation Detail 1

Sign Types: PS-01.01, PS-01.02, PS-01.03 and PS-01.04



PS Installation Detail 2

Sign Types: PS-01.01, PS-01.02, PS-01.03 and PS-01.04

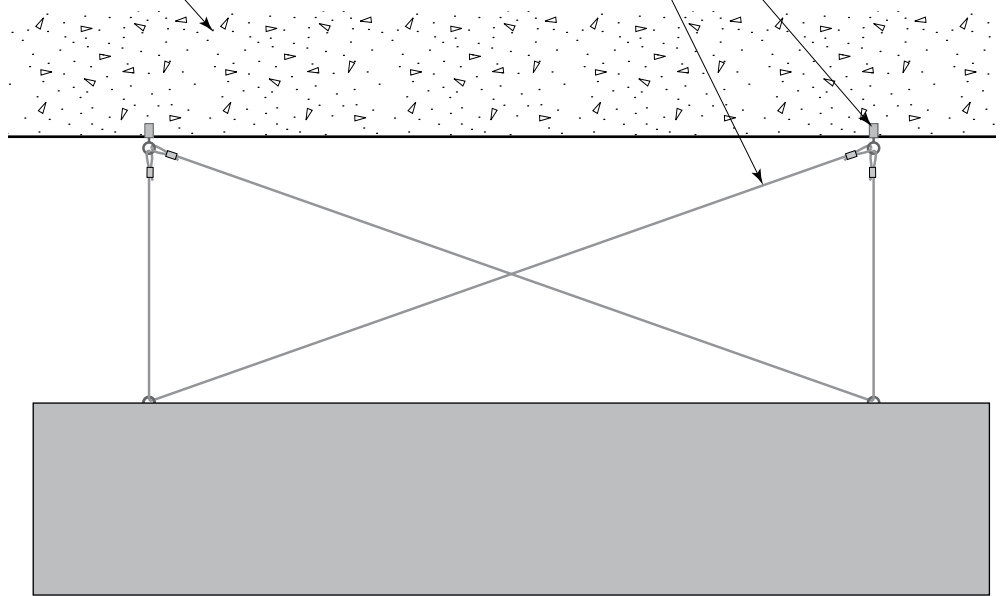
Cross bracing cable hanging method to be used on all hanging signs where the ceiling to sign hang distance is 2'-0" or greater or in areas of excessive wind.

NOTE: Hanging signs subjected to windy conditions should be mounted with 3 wires and tranguled.

Shallow hole expansion anchor rated to support sign weight. Depth of anchor not to exceed 3/4" into concrete

Stainless steel cable cross bracing with mechanical compression sleeve or swage as needed to support weight of sign.

Concrete



PG Installation Detail 3

Sign Types: PS-02.01, PS-02.02, PS-02.03 and PS-02.04

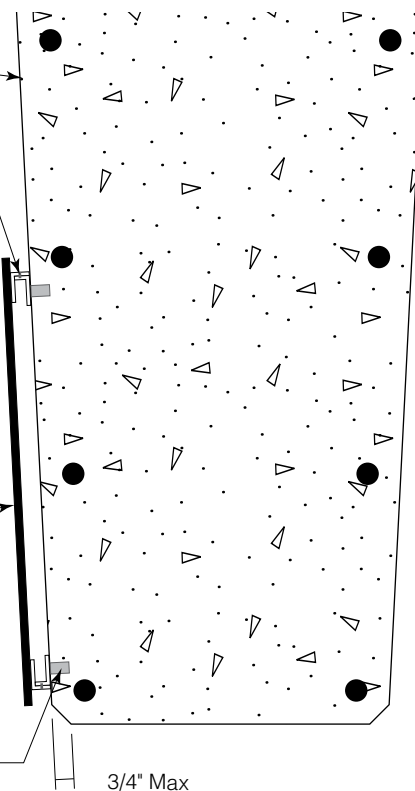
Concrete joist

Mounting bracket from interlocking angle with set screw attachment to sign panel

All hardware used to be corrosion resistant

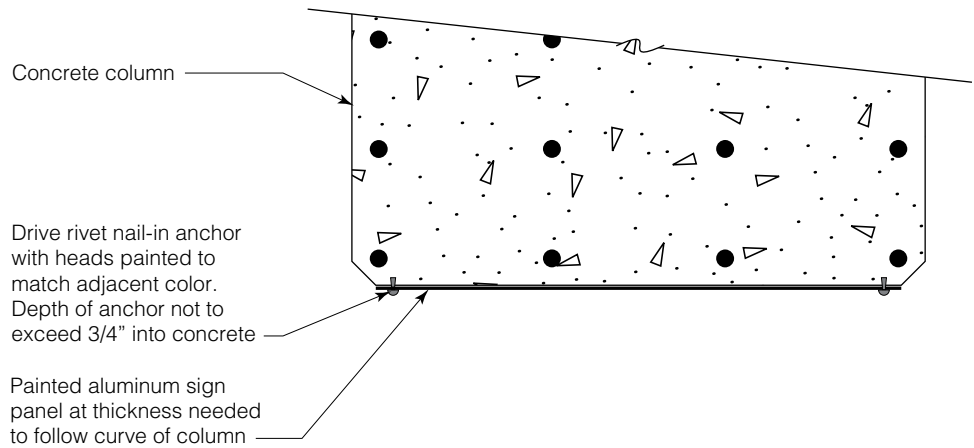
Sign

Shallow hole expansion anchor rated to support sign weight. Depth of anchor not to exceed 3/4" into concrete



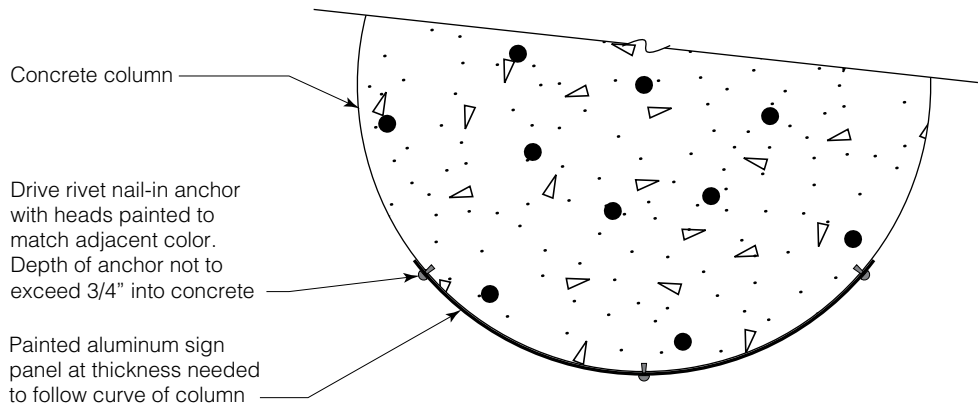
PS Installation Detail 4

Sign Types: PS-05.01 and PS-05.02



PS Installation Detail 5

Sign Type: PS-05.03, PS-05.03



Wall Mounting Non-Illuminated Signs

Aluminum wall panel signs shall be fastened with a minimum of 2 mechanical fasteners.

Anchors should be provided in the wall that are suitable for the particular type of wall surface where the sign is being installed.

