

TARGETTI

TITANO

Compact Professional Inground LED Grazer

Concept: Semi-recessed grazing light effect fixture for white LEDs.

Housing: Stainless steel body.

Materials: Die-cast aluminum trim. Stainless steel installation sleeve. Consult factory for marine grade cathaphoresis painting treatment to be used from ocean shoreline to 1/2 mile inland. Fixtures located in marine environments are not to be in direct contact with salt for extended periods of time or used with corrosive agents.

Trim: Anodized aluminium ring and cover available in Textured Standard Finishes – Ferrite Grey / Heritage Brown / Bronze RAL 8019 / White Textured / Black Textured / Sandstone Grey. Ribbed glass lens for blade of light effect.

Optic: High Efficiency multichip LED Emitter. Mono-, bi-, pluri-emissions.

Mounting: Semi-recessed housing to mount in installation sleeve (sold separately). Fixture includes screw down holes and stainless steel screws for attachment to installation sleeve.

Driver: 120V Integrated non-dimming driver.

Installation: Fixture mounts in installation 7.16" tall x 8.54" diameter sleeve. Fixture is provided with 6ft IP68 connector cable, direct burial brass ingrade jbox (required, sold separately).

Wattage: 6W

Color Temperature: 3000K / 4000K

CRI: Ra84

Delivered Lumens: 3000K 4000K

Mono-Emission = 47Lm 54Lm

Bi-Emission = 93Lm 106Lm

Pluri-Emissions = 158Lm 180Lm

Lumen Maintenance (L70): 50,000hrs

Calculation for LED fixtures are based on measurements that comply with IES LM-80.

BUG: B0-U1-G1 (mono-), B0-U2-G1 (bi-), B0-U2-G1 (pluri-)

Voltage: Universal 120–277V AC 50/60Hz

IP Rating: IP67

IK Rating: IK10

Load Rating: Resistant to static loads up to 4,496lbs in flush mounted cement and pavement installations.

Certifications: cULus Wet Listed E477426

Tested in accordance with LM-79-08

^A Consult factory for marine grade cathaphoresis treatment.

Warranty: 5 year limited warranty

* Up to 1 METER DEPTH of water for up to a maximum of 30 MINUTES



Bi-Emission



Pluri-Emission



Mono-Emission



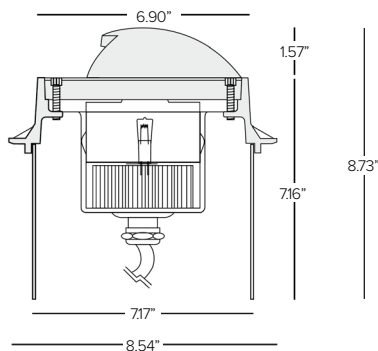
Mono-Emission

Bi-Emission

Pluri-Emission







PRODUCT CODE	DRIVER	TYPE	FINISH	WATTAGE	COLOR TEMP	+	INSTALLATION
TIT – TITANO	ND – Non-dimming driver	MO – Mono-Emission	FE – Ferrite Grey	L1 – 6W	30 – 3000K	+	Required (See Pg 2)
		BI – Bi-Emission	HB – Heritage Brown		40 – 4000K		
		PL – Pluri-Emission	BZ – Bronze RAL8019				
		WT – White Textured	BT – Black Textured				
			SG – Sandstone Grey				

Views

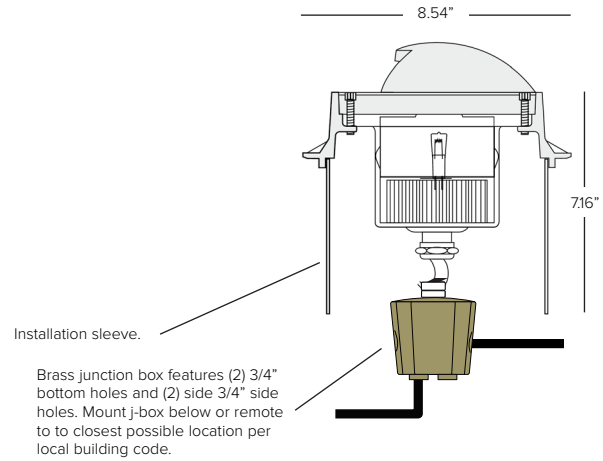


TARGETTI

TITANO

INSTALLATION SLEEVE (REQUIRED) – CHOOSE ONE:						Description
 Ferrite	 Heritage Brown	 Bronze RAL 8019	 White Textured	 Black Textured	 Sandstone Grey	
1E3408	1E3408HB	1E3408BZ	1E3408WT	1E3408BBT	1E3408SG	7.16" Stainless steel installation sleeve with die-cast painted collar

INSTALLATION ACCESSORIES:	
1DU2530	Direct burial brass ingrade jbox (REQUIRED one per fixture)



TARGETTI

TITANO

Photometry

